



0086-731-85853118 (International)



www.betonm.cn



info@wontechgroup.com



0086-731-85853118



No.32, Chatingsi Road, Chengjiao Street, Ningxiang,
Changsha, Hunan,P.R.China

WONTECH



DTH PRODUCT CATALOGUE

—
WONTECH
SIMPLY RELIABLE
—

CHANGSHA BETO NEW MATERIAL TECHNOLOGY CO., LTD.

► SUGGESTIONS FOR YOUR PROJECT

► WT SERIES

WT3 Hammer	05
WT3A Hammer	06
WT4 Hammer	07
WT5A Hammer	08
WT6 Hammer	09
WT8 Hammer	10

► 2" DTH HAMMER

WBR2 Hammer	12
-------------	----

► 3" DTH HAMMER

WD30R Hammer	14
WBR3 Hammer	15

► 4" DTH HAMMERS

WD40R Hammer	17
WTD40 Hammer	18
WM40 Hammer	19
WM40B Hammer	20
WM40SD Reversible Hammer	21

► 5" DTH HAMMERS

WD50R Hammer	23
WQL50R Hammer	24
WM50 Hammer	25
WM50SD Reversible Hammer	26

► 6" DTH HAMMERS

WD60R Hammer	28
WSD6R Hammer	29
WQL60R Hammer	30
WQL60RD Reversible Hammer	31
WM60B Hammer	32
WM60CSD Hammer	33

► 8" DTH HAMMERS

WD80R Hammer	35
WSD8R Hammer	36
WQL80R Hammer	37
WM80 Hammer	38
WM80SD Hammer	39

► 10" DTH HAMMERS

WSD10R Hammer	41
WNM100R Hammer	42

► 12" DTH HAMMERS

WSD12AR Hammer	44
WNM120R Hammer	45

► CHOOSING THE RIGHT DTH BIT

► WT SHANK SERIES

WT3 Shank Bit	51
WT4 Shank Bit	51
WT5 Shank Bit	51
WT6 Shank Bit	52
WT8 Shank Bit	52

► DHD SHANK SERIES

DHD3.5 Shank Bit	53
DHD340 Shank Bit	53
DHD350 Shank Bit	53
DHD360 Shank Bit	54
DHD380 Shank Bit	54
DHD112 Shank Bit	54

► SD SHANK SERIES

SD6 Shank Bit	55
SD8 Shank Bit	55
SD10 Shank Bit	56
SD12 Shank Bit	56

► QL SHANK SERIES

QL50 Shank Bit	57
QL60 Shank Bit	57
QL80 Shank Bit	57

► NUMA SHANK SERIES

NUMA100 Shank Bit	58
NUMA120 Shank Bit	58
NUMA125 Shank Bit	58

► MISSION SHANK SERIES

MISSION40 Shank Bit	59
MISSION50 Shank Bit	59
MISSION60 Shank Bit	60
MISSION80 Shank Bit	60

► BR SHANK SERIES

BR1 Shank Bit	61
BR2 Shank Bit	61
BR3 Shank Bit	61

► OTHER SHNK SERIES

COP32 Shank Bit	62
COP34 Shank Bit	62
MD3.5 Shank Bit	62
COPROD89 Shank Bit	63
TD40(QLX40) Shank Bit	63

► ON-TIME DELIVERY

► TAILORED SERVICE

► ROUTINE VISIT

► QUICK RESPONSE TO COMPLAINTS

INTRODUCTION ▶

Changsha Beto New Material Technology Co., Ltd. is a technology-based new material private enterprise, with five overseas branches, area of plant nearly 40,000 square meter, and more than 800 employees. We specialize in providing cutting equipment and consumables for stone, reinforced concrete and other hard materials, as well as down the hole drilling tools for foundation piling, water well drilling, blasting and other applications. We have such famous trademarks as "TOOLSTAR" and "WONTECH".

BETO boasts a team of experienced engineers who have been dedicated to designing drilling tools for years, a team of skillful workers who can expertly operate digital lathes and CNC machining centers to process the tools with precision, and a team of outstanding sales from different nationalities who are full of overseas working experiences.



Sales team



▶ To meet the demands of different customer groups, the company has a very clear purpose, offering differentiated services, for example, the finished products with the best performance and the most considerate service for the end users, the ODM service for our distributors that help promote their own brand's influence in the local market at a competitive price, and the OEM service for the peer manufacturers that help them expand their production capacity at a low cost.

As a professional manufacturer, BETO embraces the spirit of "Being Practical, Careful, Honest, and Safe", sticks to the concept of development of "Quality Wins Customers, Credibility Creates Benefit", and will be always devoted to providing rock drilling solutions to our customers with first-class products, outstanding credibility, and meritorious services.

WONTECH DTH HAMMERS

► SUGGESTIONS FOR YOUR PROJECT

Wontech offers a comprehensive range of DTH hammers from 2 inch to 12 inch which can drill the holes from 64mm(2 1/2") to 445mm(17 7/15"). The hammers can not only work with our own-designed WT shank bit, but also the bits with the most popular shanks like DHD, COP, SD, QL, MISSION, NUMA, BR, and TD in the market.

Wontech produces world class quality DTH hammers, adopting fine alloy steel and apply hardening treatment on the spare parts, which prolongs hammers lifetime and can stand up to the harshest conditions.

It' s quite critical to choose the right drilling tools according to the drilling applications, so as to complete the work at the lowest cost per meter possible. Wontech technical sales Representatives can aid in this process according to your requirements by evaluating your drilling conditions, hole size, hole depth, equipment.

For blast holes drilling, Wontech has BR, Mission, QL and own-designed WT of your choice, short stoke and strong impact, suitable for those pursuing high drilling efficiency. For short and big holes drilling, SD, Numa, the large size ones can meet it. If you offer water well drilling or geothermal drilling service, DHD, QL are good choices with fast drilling speed and less air consumption. As for anchoring, small and horizontal holes drilling with good straightness, you can't go wrong with DHD and WT series.

WT3 HAMMER

WT SERIES



Item Description	Weight		Part NO.
	kg	lb	
01.Top Sub	4.5	9.92	WT3-1
02.Check valve	0.35	0.77	WT3-3
03.Spring	0.02	0.04	WT3-4
04.Air Distributor	0.8	1.76	WT3-5
05.O-ring	0.01	0.02	45X2.65/GB3452.1
06.Inner Cylinder	1.4	3.08	WT3-6
07.Piston	4.59	10.12	WT3-7
08.Wear Sleeve	6.75	14.88	WT3-8
09.Guide Sleeve	1.7	3.74	WT3-10
10.Bit Retainer	0.35	0.77	WT3-11
11.Chuck	1.8	3.97	WT3-12

Seal Kit | 05x2 | Rebuild Kit | 01x1 | 08x1 | 11x1 | Seal Kit

Bit Specification

No.of Spines	6	
L (mm)	130	
L (inch)	5.12	
Bit Shank	WT3	
Bit Diameter (mm)	Φ90-Φ105	
Bit Diameter (in)	3 1/2 - 4 1/8	

Specifications	Metric	Imperial
Hammer Length without Bit	724.8 mm	28.54 in
Weight without Bit	22.27 kg	49.1 lb
Outside Diameter of the Hammer	Φ80 mm	3.14 in
Top Sub Thread	API 2 3/8" REG PIN	
Working Air Pressure Range	10-25 bar/145-363 psi	
Recommended Rotary Speed	30-60 r/min	
Impact Rate at 17 Bar	40 Hz	
Air Consumption	268 cfm @ 246.6 psi	7.5 m ³ /min @ 17 bar
	393 cfm @ 348 psi	11 m ³ /min @ 24 bar

WT3A HAMMER

WT SERIES

Item Description	Weight		Part NO.
	kg	lb	
01.Top Sub	4.5	9.90	WT3A-01
02.O-ring	0.01	0.02	65x2.65 GB3452.1
03.Check Valve	0.35	0.77	WD30R-5
04.Bear Ring	0.02	0.04	WD30R-4
05.Spring	0.02	0.04	WD30-4
06.O-ring	0.01	0.02	45x2.65 GB3452.1
07.Air Distributor	0.8	1.76	WT3A-02
08.Inner Cylinder	1.4	3.08	WT3-6
09.Piston	4.45	9.79	WT3-7
10.Wear Sleeve	6.75	14.85	WT3A-03
11.Guide Sleeve	1.7	3.74	WT3-10
12.Bit Retainer	0.35	0.77	WT3-11
13.Chuck	1.8	3.96	WT3-12

Seal Kit | 02x1 | 06x1 | Rebuild Kit | 01x1 | 10x1 | 13x1 | Seal Kit

Bit Specification

No.of Spines	6	
L (mm)	130	
L (inch)	5.12	
Bit Shank	WT3	
Bit Diameter (mm)	Φ90-Φ105	
Bit Diameter (in)	3 1/2 - 4 1/8	



Specifications	Metric	Imperial
Hammer Length without Bit	813 mm	32 in
Weight without Bit	22.16 kg	48.85 lb
Outside Diameter of the Hammer	Φ80 mm	3.15 in
Top Sub Thread	API 2 3/8" REG PIN	
Working Air Pressure Range	10-25 bar/145-363 psi	
Recommended Rotary Speed	30-60 r/min	
Impact Rate at 17 Bar	40 Hz	
Air Consumption	250 cfm @ 246.6 psi	7 m ³ /min @ 17 bar
	383 cfm @ 348 psi	10 m ³ /min @ 24 bar

WT4 HAMMER

WT SERIES



Item Description	Weight		Part NO.
	kg	lb	
01.Top Sub	7.04	15.52	WT4-1
02.Bear Ring	0.3	0.66	WT4-13
03.Check Valve	0.35	0.5	WT4-2
04.Spring	0.02	0.02	WT4-3
05.Air Distributor	1.31	2.89	WT4-4
06.O-ring	0.01	0.02	60X3.1/GB3452.1
07.Inner Cylinder	1.5	3.31	WT4-6
08.Piston	6.43	14.18	WT4-7
09.Wear Sleeve	10.17	22.42	WT4-8
10.Guide Sleeve	1.7	3.72	WT4-10
11.Bit Retainer	0.43	0.95	WT4-11
12.Chuck	2.85	6.28	WT4-12

Seal Kit | 06x2 | Rebuild Kit | 01x1 | 09x1 | 12x1 | Seal Kit

Bit Specification

No. of Spines	8	
L (mm)	142	
L (inch)	5.59	
Bit Shank	WT4	
Bit Diameter (mm)	Φ108-Φ135	
Bit Diameter (in)	4 1/4 - 5 1/4	

Specifications	Metric	Imperial
Hammer Length without Bit	742.5 mm	29.33 in
Weight without Bit	32.11 kg	70.79 lb
Outside Diameter of the Hammer	Φ99 mm	3.9 in
Top Sub Thread	API 2 3/8" REG PIN	
Working Air Pressure Range	10-25 bar/145-363 psi	
Recommended Rotary Speed	30-60 r/min	
Impact Rate at 17 Bar	36 Hz	
Air Consumption	314.3 cfm @ 246.6 psi	8.8 m ³ /min @ 17 bar
	500 cfm @ 348 psi	14 m ³ /min @ 24 bar

WT5A HAMMER

WT SERIES

Item Description	Weight		Part NO.
	kg	lb	
01.Top Sub	10.91	24.05	WT5A-1
02.Check Valve	0.35	0.77	WD60-3
03.O-ring	0.02	0.04	103x3.55 GB3452.1
04.Spring	0.02	0.04	WD60-4
05.Air Distributor	2.1	4.63	WT5A-4
06.O-ring	0.01	0.02	75X3.55 GB3452.1
07.Inner Cylinder	2.72	6	WT5-6
08.Piston	11.8	26.01	WT5-7
09.Wear Sleeve	19.3	42.55	WT5A-8
10.Retainer Ring	0.11	0.24	WT5-9
11.Guide Sleeve	2.46	5.42	WT5-10
12.Bit Retainer	0.98	2.16	WT5-11
13.Chuck	5.7	12.57	WT5A-12

Seal Kit | 03x1 | 06x1 | Rebuild Kit | 01x1 | 09x1 | 13x1 | Seal Kit

Bit Specification

No. of Spines	8	
L (mm)	170	
L (inch)	6.69	
Bit Shank	WT5	
Bit Diameter (mm)	Φ135-Φ155	
Bit Diameter (in)	5 1/4 - 6 1/8	



Specifications	Metric	Imperial
Hammer Length without Bit	885 mm	34.84 in
Weight without Bit	56.48 kg	124.52 lb
Outside Diameter of the Hammer	Φ128 mm	5 in
Top Sub Thread	API 2 3/8" REG PIN	
Working Air Pressure Range	10-25 bar/145-363 psi	
Recommended Rotary Speed	30-60 r/min	
Impact Rate at 17 Bar	34 Hz	
Air Consumption	429 cfm @ 246.6 psi	12 m ³ /min @ 17 bar
	679 cfm @ 348 psi	19 m ³ /min @ 24 bar

WT6 HAMMER

WT SERIES

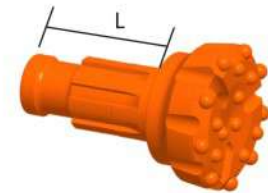


Item Description	Weight		Part NO.
	kg	lb	
01.Top Sub	19.1	42.11	WT6-1
02.Check valve	0.8	1.76	WT8-2
03.Spring	0.05	0.11	WD60-4
04.Air Distributor	3.2	7.05	WT6-4
05.O-ring	0.01	0.02	80X3.55/GB3452.1
06.Inner Cylinder	4.34	9.57	WT6-6
07.Piston	18.43	40.63	WT6-7
08.Wear Sleeve	26.4	58.2	WT6-8
09.Guide Sleeve	3.78	8.33	WT6-10
10.Bit Retainer	1.39	3.06	WT6-11
11.Chuck	7.65	16.87	WT6-12

Seal Kit | 05x2 | Rebuild Kit | 01x1 | 08x1 | 11x1 | Seal Kit

Bit Specification

No.of Spines	10
L (mm)	200
L (inch)	7.87
Bit Shank	WT6
Bit Diameter (mm)	Φ152-Φ203
Bit Diameter (in)	6-8



Specifications	Metric	Imperial
Hammer Length without Bit	936.1 mm	36.85 in
Weight without Bit	85.3 kg	188.05 lb
Outside Diameter of the Hammer	Φ145 mm	5.71 in
Top Sub Thread	API 3 1/2" REG PIN	
Working Air Pressure Range	10-25 bar/145-363 psi	
Recommended Rotary Speed	25-50 r/min	
Impact Rate at 17 Bar	30 Hz	
Air Consumption	500 cfm @ 246.6 psi	14 m ³ /min @ 17 bar
	893 cfm @ 348 psi	25 m ³ /min @ 24 bar

WT8 HAMMER

WT SERIES

Item Description	Weight		Part NO.
	kg	lb	
01.Top Sub	41	90.39	WT8-1
02.Check valve	0.8	1.76	WT8-2
03.Spring	0.05	0.11	WD60-4
04.Air Distributor	6.82	15.04	WT8-4
05.O-ring	0.01	0.02	112X3.55/GB3452.1
06.Inner Cylinder	7.86	17.33	WT8-6
07.Piston	40	88.18	WT8-7
08.Wear Sleeve	55	121.25	WT8-8
09.Guide Sleeve	4.54	10	WT8-10
10.Bit Retainer	2.06	4.54	WT8-11
11.Chuck	13	28.66	WT8-12

Seal Kit | 05x2 | Rebuild Kit | 01x1 | 08x1 | 11x1 | Seal Kit

Bit Specification

No.of Spines	16
L (mm)	220
L (inch)	8.66
Bit Shank	WT8
Bit Diameter (mm)	Φ195-Φ305
Bit Diameter (in)	7 5/8-12



Specifications	Metric	Imperial
Hammer Length without Bit	1113.1 mm	43.82 in
Weight without Bit	171.14 kg	377.3 lb
Outside Diameter of the Hammer	Φ183 mm	7.20 in
Top Sub Thread	API 4 1/2" REG PIN	
Working Air Pressure Range	10-25 bar/145-363 psi	
Recommended Rotary Speed	25-45 r/min	
Impact Rate at 17 Bar	27 Hz	
Air Consumption	857 cfm @ 246.6 psi	24 m ³ /min @ 17 bar
	1357 cfm @ 348 psi	38 m ³ /min @ 24 bar



2" DTH HAMMER

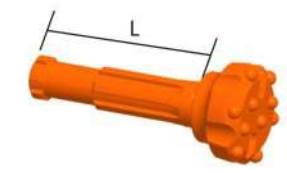
WBR2 HAMMER

2" DTH HAMMER

Item Description	Weight		Part NO.
	kg	lb	
01.Top Sub	2.5	5.52	WBR2-1
02.O-ring	0.01	0.02	WBR2-2
03.Check Valve	0.08	0.18	WBR2-3
04.Spring	0.05	0.11	WBR2-4
05.Air Distributor	0.5	1.10	WBR2-5
06.Inner Cylinder	0.6	1.32	WBR2-6
07.Piston	2.3	5.07	WBR2-7
08.Wear Sleeve	4.5	9.93	WBR2-8
09.Guide Sleeve	0.52	1.15	WBR2-9
10.O-ring	0.01	0.02	WBR2-10
11.Bit Retainer	0.1	0.22	WBR2-11
12.Chuck	1.2	2.64	WBR2-12

Seal Kit | 02x1 | 10x1 | Rebuild Kit | 01x1 | 08x1 | 12x1 | Seal Kit

Bit Specification	
No.of Spines	6
L (mm)	165
L (inch)	6.5
Bit Shank	BR2
Bit Diameter (mm)	Φ70-Φ90
Bit Diameter (in)	2 3/4 - 3 1/2



Specifications	Metric	Imperial
Hammer Length without Bit	810 mm	31.89 in
Weight without Bit	12.5 kg	27.58 lb
Outside Diameter of the Hammer	Φ64 mm	2.52 in
Top Sub Thread	RD50 BOX	
Working Air Pressure Range	8-15 bar/116-217.5 psi	
Recommended Rotary Speed	30-50 r/min	
Air Consumption	107 cfm @ 145 psi	3 m³/min @ 10 bar
	161 cfm @ 203 psi	4.5 m³/min @ 14 bar

3" DTH HAMMER



WD30R HAMMER

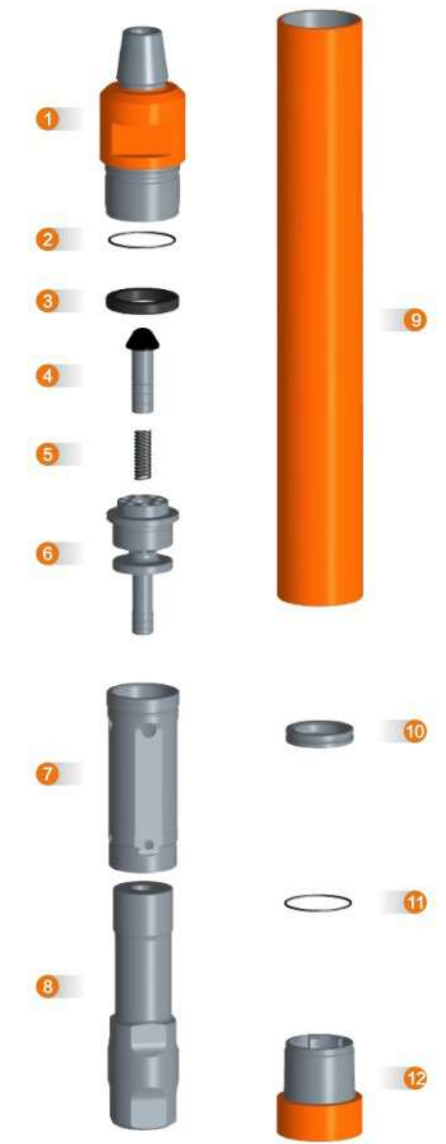
3" DTH HAMMER

Item Description	Weight		Part NO.
	kg	lb	
01.Top Sub	4.39	9.68	WD30-1
02.O-ring	0.01	0.02	60X3.1/GB3452.1
03.Bear Ring	0.04	0.09	WD30R-4
04.Check Valve	0.2	0.44	WD30R-5
05.Spring	0.02	0.04	WD30-4
06.Air Distributor	1.7	3.75	WD30R-7
07.Inner Cylinder	1.73	3.81	WD30R-9
08.Piston	7.1	15.65	WD30R-10
09.Wear Sleeve	9.6	21.16	WD30R-11
10.Bit Retainer	0.12	0.26	WD30-11
11.O-ring	0.01	0.02	60X3.1/GB3452.1
12.Chuck	1.98	4.37	WD30-12

Seal Kit | 02x1 | 11x1 | Rebuild Kit | 01x1 | 09x1 | 12x1 | Seal Kit

Bit Specification

No.of Spines	8
L (mm)	180
L (inch)	7.09
Bit Shank	DHD3.5
Bit Diameter (mm)	Φ 90-Φ105
Bit Diameter (in)	3 1/2 - 4 1/8



Specifications	Metric	Imperial
Hammer Length without Bit	854 mm	33.62 in
Weight without Bit	27.15 kg	59.86 lb
Outside Diameter of the Hammer	Φ82 mm	3.23 in
Top Sub Thread	API 2 3/8" REG PIN	
Working Air Pressure Range	10-25 bar/145-363 psi	
Recommended Rotary Speed	30-60 r/min	
Impact Rate at 17 Bar	28 Hz	
Air Consumption	307.14 cfm @ 246.6 psi	8.6 m³/min @ 17 bar
	489.3 cfm @ 348 psi	13.7 m³/min @ 24 bar

WBR3 HAMMER

3" DTH HAMMER

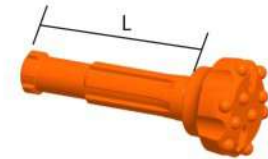


Item Description	Weight		Part NO.
	kg	lb	
01.Top Sub	4.4	9.7	WBR3-1
02.O-ring	0.01	0.02	WBR3-2
03.Check Valve	0.13	0.29	WBR3-3
04.Spring	0.02	0.04	WBR3-4
05.Air Distributor	0.76	1.68	WBR3-5
06.Inner Cylinder	1.45	3.2	WBR3-6
07.Piston	4.7	10.36	WBR3-7
08.Wear Sleeve	6	13.23	WBR3-8
09.Guide Sleeve	0.9	1.98	WBR3-9
10.Check Ring	0.15	0.33	WBR3-10
11.Bit Retainer	0.25	0.55	WBR3-11
12.O-ring	0.01	0.02	WBR3-12
13.Chuck	2	4.41	WBR3-13

Seal Kit | 02x1 | 10x1 | 12x1 | Rebuild Kit | 01x1 | 08x1 | 13x1 | Seal Kit

Bit Specification

No.of Spines	6
L (mm)	165
L (inch)	6.5
Bit Shank	BR3
Bit Diameter (mm)	Φ90-Φ105
Bit Diameter (in)	3 1/2 - 4 1/8



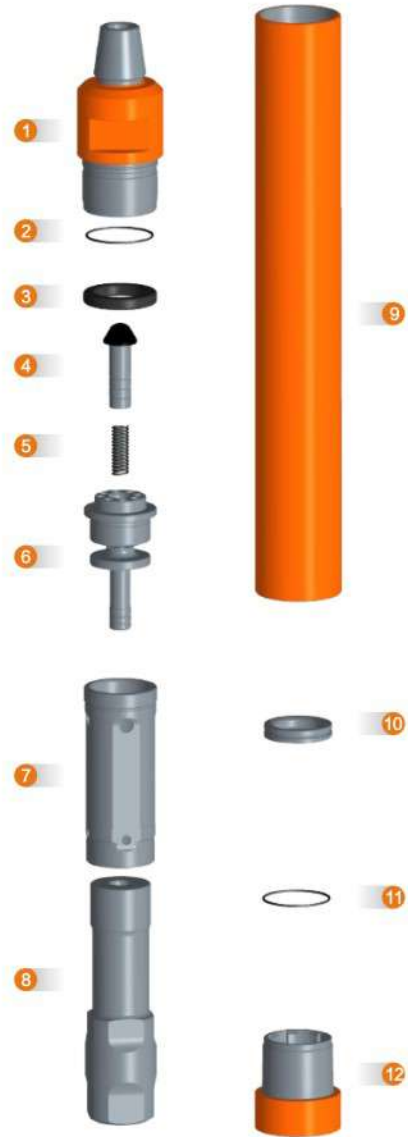
Specifications	Metric	Imperial
Hammer Length without Bit	871 mm	34.29 in
Weight without Bit	21 kg	27.58 lb
Outside Diameter of the Hammer	Φ82 mm	3.29 in
Top Sub Thread	API 2 3/8" REG PIN	
Working Air Pressure Range	10-17 bar/145-246.5 psi	
Recommended Rotary Speed	30-50 r/min	
Air Consumption	143 cfm @ 145 psi	4 m³/min @ 10 bar
	250 cfm @ 246.5 psi	7 m³/min @ 15 bar



4" DTH HAMMER

WD40R HAMMER

4" DTH HAMMER



Item Description	Weight		Part NO.
	kg	lb	
01.Top Sub	6.4	14.1	WD40-1
02.O-ring	0.01	0.02	70X3.1/GB3452.1
03.Bear Ring	0.04	0.09	WD40R-4
04.Check Valve	0.4	0.88	WD40R-5
05.Spring	0.04	0.09	WD40-4
06.Air Distributor	2.07	4.56	WD40R-7
07.Inner Cylinder	2.22	4.89	WD40R-9
08.Piston	9.1	20.06	WD40R-10
09.Wear Sleeve	15	33.07	WD40R-11
10.Bit Retainer	0.2	0.44	WD40-11
11.O-ring	0.01	0.02	60X3.1/GB3452.1
12.Chuck	3.5	7.72	WD40-12
Seal Kit 02x1 11x1 Rebuild Kit 01x1 09x1 12x1 Seal Kit			

Bit Specification

No.of Spines	8	
L (mm)	209	
L (inch)	8.23	
Bit Shank	DHD340/COP44	
Bit Diameter (mm)	Φ108-Φ135	
Bit Diameter (in)	4 1/4 - 5 1/4	

Specifications	Metric	Imperial
Hammer Length without Bit	956.3 mm	37.65 in
Weight without Bit	39 kg	86 lb
Outside Diameter of the Hammer	Φ99 mm	3.9 in
Top Sub Thread	API 2 3/8" REG PIN	
Working Air Pressure Range	10-25 bar/145-363 psi	
Recommended Rotary Speed	30-60 r/min	
Impact Rate at 17 Bar	28 Hz	
Air Consumption	339 cfm @ 246.6 psi	9.5 m ³ /min @ 17 bar
	536 cfm @ 348 psi	15 m ³ /min @ 24 bar

WTD40 HAMMER

4" DTH HAMMER



Item Description	Weight		Part NO.
	kg	lb	
01.Top Sub	7.3	16.09	WTD40-1
02.O-ring	0.01	0.02	80*3.1/GB3452.1
03.Check Valve	0.24	0.53	WTD40-3
04.Spring	0.05	0.11	WTD40-4
05.Air Distributor	1.68	3.7	WTD40-5
06.O-ring	0.01	0.02	65*3.1/GB3452.1
07.Inner Cylinder	1.83	4.03	WTD40-7
08.Piston	7.73	17.0415.1	WTD40-8
09.Wear Sleeve	15.1	33.29	WTD40-9
10.Bit Retainer	0.18	0.40	WTD40-10
11.O-ring	0.01	0.02	70*3.1/GB3452.1
12.Chuck	2.83	6.24	WTD40-12
Seal Kit 02x1 06x1 11x1 Rebuild Kit 01x1 04x1 09x1 10x1 12x1 Seal Kit			

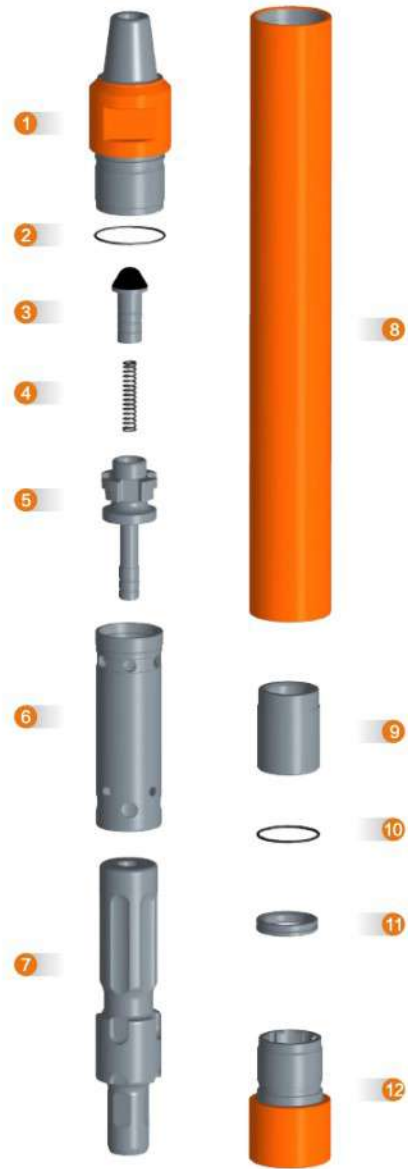
Bit Specification

No.of Spines	12	
L (mm)	209	
L (inch)	8.23	
Bit Shank	TD40/QLX40	
Bit Diameter (mm)	Φ110-Φ140	
Bit Diameter (in)	4 5/16 - 5 1/2	

Specifications	Metric	Imperial
Hammer Length without Bit	928 mm	36.54 in
Weight without Bit	37 kg	81.6 lb
Outside Diameter of the Hammer	Φ102 mm	4.02 in
Top Sub Thread	API 2 3/8" REG PIN	
Working Air Pressure Range	10-35 bar/145-508 psi	
Recommended Rotary Speed	30-50 r/min	
Air Consumption	635 cfm @ 362.6 psi	18 m ³ /min @ 25 bar
	918 cfm @ 507.6 psi	26 m ³ /min @ 35 bar

WM40 HAMMER

4" DTH HAMMER

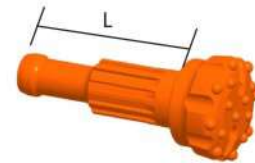


Item Description	Weight		Part NO.
	kg	lb	
01.Top Sub	7	15.43	WD40-1
02.O-ring	0.01	0.02	70X3.1/GB3452.1
03.Check Valve	0.3	0.66	WD40-3
04.Spring	0.05	0.11	WD40-4
05.Air Distributor	1.4	3.09	WD40-5
06.Inner Cylinder	2.2	4.85	WD40-6
07.Piston	8.49	18.72	WD40-7
08.Wear Sleeve	15.1	33.29	WM40-8
09.Guide Sleeve	1.5	3.3	WM40-9
10.O-ring	0.01	0.02	60X3.1/GB3452.1
11.Bit Retainer	0.25	0.55	WM40-11
12.Chuck	3.36	7.4	WM40-12

Seal Kit | 02x1 | 10x1 | Rebuild Kit | 01x1 | 08x1 | 12x1 | Seal Kit

Bit Specification

No. of Spines	12
L (mm)	228
L (inch)	8.98
Bit Shank	M40
Bit Diameter (mm)	Φ108-Φ135
Bit Diameter (in)	4 1/4 - 5 1/4



Specifications	Metric	Imperial
----------------	--------	----------

Hammer Length without Bit	932.3 mm	36.7 in
Weight without Bit	39.7 kg	87.5 lb
Outside Diameter of the Hammer	Φ99 mm	3.9 in
Top Sub Thread	API 2 3/8" REG PIN	
Working Air Pressure Range	10-25 bar/145-363 psi	
Recommended Rotary Speed	30-60 r/min	
Impact Rate at 17 Bar	30 Hz	

Air Consumption	325 cfm @ 246.6 psi	9.1 m ³ /min @ 17 bar
	500 cfm @ 348 psi	14 m ³ /min @ 24 bar

WM40B HAMMER

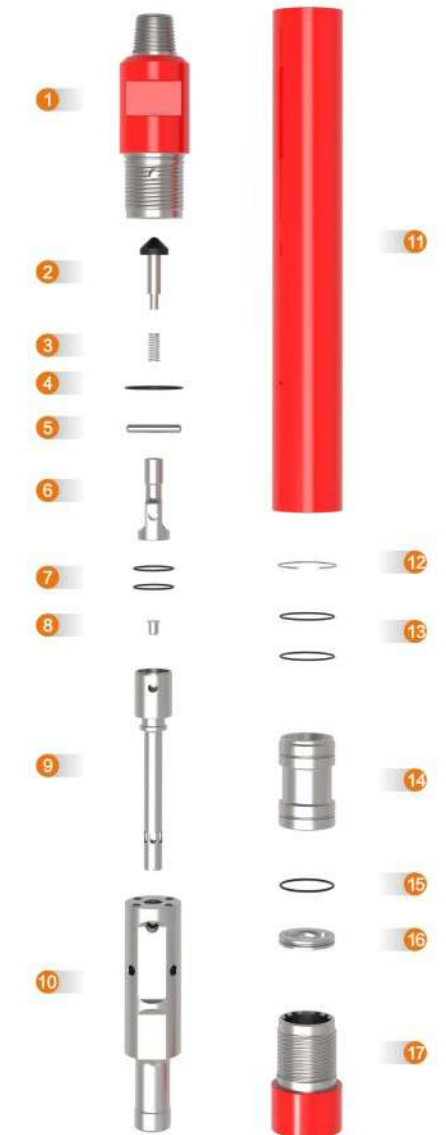
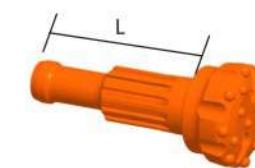
4" DTH HAMMER

Item Description	Weight		Part NO.
	kg	lb	
01.Top Sub	8	17.64	WM40B-01
02.Check Valve	0.2	0.44	WM40B-02
03.Spring	0.01	0.02	WM40B-03
04.O-ring	0.01	0.02	75X3/GB3452.1
05.Pin	0.07	0.15	WM40B-05
06.Air Distributor Cap	0.3	0.66	WM40B-06
07.O-ring	0.01	0.02	51.5X3/GB3452.1
08.Air plug	0.01	0.02	WM40B-07
09.Air Distributor	0.7	1.54	WM40B-04
10.Piston	7.3	16.1	WM40B-08
11.Wear Sleeve	14.5	31.97	WM40B-09
12.Piston Retainer Ring	0.01	0.02	WM40B-10
13.O-ring	0.01	0.02	71X3/GB3452.1
14.Guide Sleeve	2	4.41	WM40B-11
15.O-ring	0.01	0.02	69X3.55/GB3452.1
16.Bit Retainer	0.3	0.66	WM40B-12
17.Chuck	3	6.61	WM40B-13

Seal Kit | 04x1 | 08x2 | 13x2 | 15x1 | Rebuild Kit | 01x1 | 11x1 | 17x1 | Seal Kit

Bit Specification

No. of Spines	12
L (mm)	228
L (inch)	8.98
Bit Shank	M40
Bit Diameter (mm)	Φ108-Φ135
Bit Diameter (in)	4 1/4 - 5 1/4



Specifications	Metric	Imperial
----------------	--------	----------

Hammer Length without Bit	973.5 mm	38.33 in
Weight without Bit	36.5 kg	80.47 lb
Outside Diameter of the Hammer	Φ98 mm	38.6 in
Top Sub Thread	API 2 3/8" REG PIN	
Working Air Pressure Range	10-25 bar/145-363 psi	
Recommended Rotary Speed	30-60 r/min	
Impact Rate at 17 Bar	30 Hz	

Air Consumption	325 cfm @ 246.6 psi	9.1 m ³ /min @ 17 bar
	500 cfm @ 348 psi	14 m ³ /min @ 24 bar

WM40SD HAMMER

4" DTH HAMMER



Item Description	Weight		Part NO.
	kg	lb	
01.Top Sub	7.7	17	WM40SD-1
02.Check Valve	0.3	0.66	WM50SD-2
03.Spring	0.02	0.04	WM50SD-3
04.O-ring	0.01	0.02	73X3.55/GB3452.1
05.Make-up Ring	0.04	0.09	WM40SD-3
06.Check Valve Guide	0.27	0.6	WM40SD-4
07.Retainer pin	0.1	0.2	WM40SD-5
08.Choke Set	0.04	0.09	WM40SD-7
09.Air Distributor	0.67	1.5	WM40SD-6
10.Piston	7.5	16.5	WM40SD-9
11.Piston Retainer Ring	0.04	0.09	WM40SD-10
12.Wear Sleeve (Reversible)	16	35.3	WM40SD-8
13.O-ring	0.01	0.02	67X3.55/GB3452.1
14.Bit Retainer	0.25	0.55	WM40SD-12
15.Guide Sleeve	1.83	4.03	WM40SD-11
16.Chuck	2.7	5.95	WM40SD-13

Seal Kit | 04x1 | 08x1 | 13x1 | Rebuild Kit | 01x1 | 12x1 | 16x1 | Seal Kit

Bit Specification

No.of Spines	12	
L (mm)	228	
L (inch)	9	
Bit Shank	M40	
Bit Diameter (mm)	Φ108-Φ135	
Bit Diameter (in)	4 1/4 - 5 1/4	

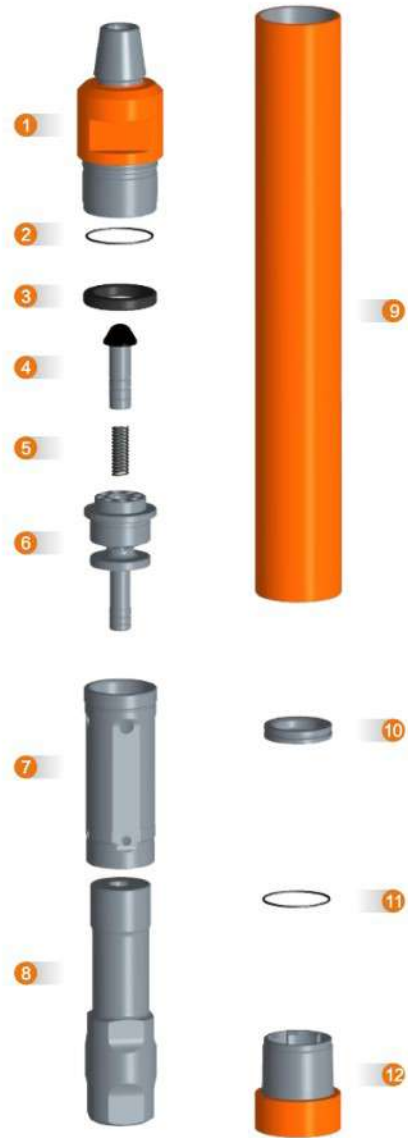
Specifications	Metric	Imperial
Hammer Length without Bit	893 mm	35.16 in
Weight without Bit	39 kg	86 lb
Outside Diameter of the Hammer	Φ99 mm	3.9 in
Top Sub Thread	API 2 3/8" REG PIN	
Working Air Pressure Range	10-25 bar/145-363 psi	
Recommended Rotary Speed	30-60 r/min	
Impact Rate at 17 Bar	35 Hz	
Air Consumption	307 cfm @ 246.6 psi	8.5 m³/min @ 17 bar
	482 cfm @ 348 psi	13.2 m³/min @ 24 bar



5" DTH HAMMER

WD50R HAMMER

5" DTH HAMMER



Item Description	Weight		Part NO.
	kg	lb	
01.Top Sub	14.26	31.44	WD50R-1
02.O-ring	0.01	0.02	80X3.55/GB3452.1
03.Bear Ring	0.08	0.18	WD50R-4
04.Check Valve	1	2.2	WD60-3
05.Spring	0.04	0.09	WD60-4
06.Air Distributor	3.75	8.27	WD50R-7
07.Inner Cylinder	4.4	9.7	WD50R-9
08.Piston	16.98	37.43	WD50R-10
09.Wear Sleeve	27.5	60.63	WD50R-11
10.Bit Retainer	0.3	0.66	WD50-11
11.O-ring	0.01	0.02	80X3.55/GB3452.1
12.Chuck	6.3	13.89	WD50-12

Seal Kit | 02x1 | 11x1 | Rebuild Kit | 01x1 | 09x1 | 12x1 | Seal Kit

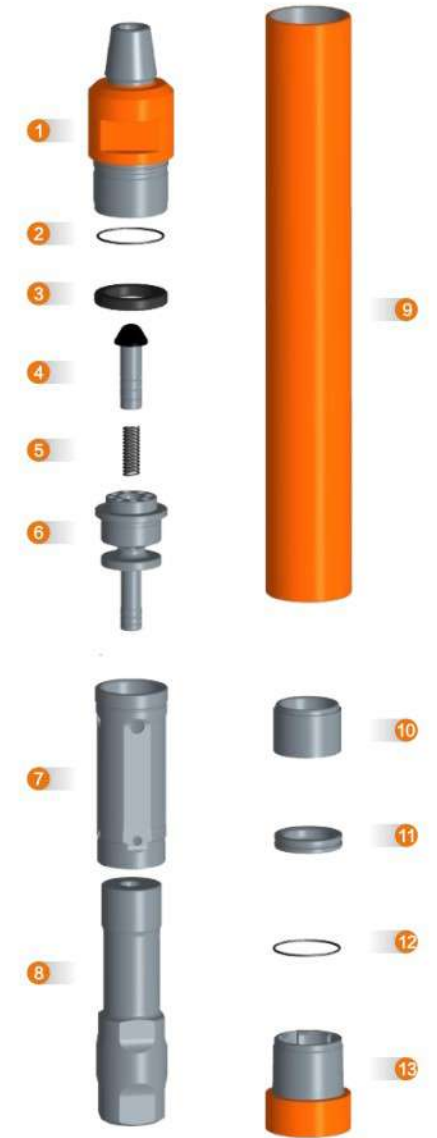
Bit Specification

No.of Spines	8	
L (mm)	260	
L (inch)	10.23	
Bit Shank	DHD350/COP54	
Bit Diameter (mm)	Φ135-Φ155	
Bit Diameter (in)	5 1/4 - 6 1/8	

Specifications	Metric	Imperial
Hammer Length without Bit	1088 mm	42.83 in
Weight without Bit	74.63 kg	164.53 lb
Outside Diameter of the Hammer	Φ126 mm	4.96 in
Top Sub Thread	API 2 3/8" REG PIN	
Working Air Pressure Range	10-25 bar/145-363 psi	
Recommended Rotary Speed	30-60 r/min	
Impact Rate at 17 Bar	26 Hz	
Air Consumption	543 cfm @ 246.6 psi	15.2 m ³ /min @ 17 bar
	793 cfm @ 348 psi	22.2 m ³ /min @ 24 bar

WQL50R HAMMER

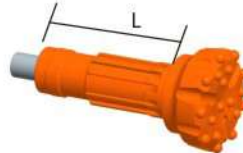
5" DTH HAMMER



Item Description	Weight		Part NO.
	kg	lb	
01.Top Sub	14.26	31.44	WD50R-1
02.O-ring	0.01	0.02	80X3.55/GB3452.1
03.Bear Ring	0.08	0.18	WD50R-4
04.Check Valve	0.56	1.23	WD60-3
05.Spring	0.02	0.04	WD60-4
06.Air Distributor	3.49	7.69	WQL50R-7
07.Inner Cylinder	5.24	11.55	WQL50R-9
08.Piston	16.95	37.37	WQL50R-10
09.Wear Sleeve	26.5	58.42	WQL50R-11
10.Guide Sleeve	3.05	6.72	WQL50R-12
11.Bit Retainer	0.4	0.88	WQL50R-13
12.O-ring	0.01	0.02	80X3.55/GB3452.1
13.Chuck	4.6	10.14	WQL50R-15

Seal Kit | 02x1 | 12x1 | Rebuild Kit | 01x1 | 09x1 | 13x1 | Seal Kit

Bit Specification

No.of Spines	12	
L (mm)	240	
L (inch)	9.45	
Bit Shank	QL50	
Bit Diameter (mm)	Φ135-Φ155	
Bit Diameter (in)	5 1/4 - 6 1/8	

Specifications	Metric	Imperial
Hammer Length without Bit	1068 mm	42.05 in
Weight without Bit	75.17 kg	165.72 lb
Outside Diameter of the Hammer	Φ126 mm	4.96 in
Top Sub Thread	API 2 3/8" REG PIN	
Working Air Pressure Range	10-25 bar/145-363 psi	
Recommended Rotary Speed	30-60 r/min	
Impact Rate at 17 Bar	26 Hz	
Air Consumption	543 cfm @ 246.6 psi	15.2 m ³ /min @ 17 bar
	793 cfm @ 348 psi	22.2 m ³ /min @ 24 bar

WM50 HAMMER

5" DTH HAMMER

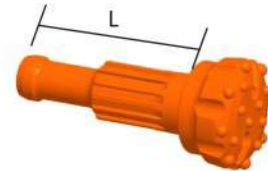


Item Description	Weight		Part NO.
	kg	lb	
01.Top Sub	13.8	30.42	WD50-1
02.O-ring	0.01	0.02	80X3.55/GB3452.1
03.Check Valve	0.6	1.33	WD60-3
04.Spring	0.02	0.04	WD60-4
05.Air Distributor	2.1	4.63	WD50-5
06.Inner Cylinder	2.7	5.95	WM50-6
07.Piston	15.6	34.34	WM50-7
08.Wear Sleeve	25.3	55.78	WM50-8
09.Guide Sleeve	2.3	5.07	WM50-9
10.O-ring	0.01	0.02	80X3.55/GB3452.1
11.Bit Retainer	0.4	0.88	WM50-11
12.Chuck	6.6	14.55	WM50-12

Seal Kit | 02x1 | 10x1 | Rebuild Kit | 01x1 | 08x1 | 11x1 | Seal Kit

Bit Specification

No. of Spines	12
L (mm)	260
L (inch)	10.2
Bit Shank	M50
Bit Diameter (mm)	Φ135-Φ155
Bit Diameter (in)	5 1/4 - 6 1/8



Specifications

	Metric	Imperial
--	--------	----------

Hammer Length without Bit	1027 mm	40.43 in
Weight without Bit	74.5 kg	164.24 lb
Outside Diameter of the Hammer	Φ126 mm	4.96 in
Top Sub Thread	API 2 3/8" REG PIN	
Working Air Pressure Range	10-25 bar/145-363 psi	
Recommended Rotary Speed	30-60 r/min	
Impact Rate at 17 Bar	29 Hz	

Air Consumption	486 cfm @ 246.6 psi	13.6 m ³ /min @ 17 bar
	714 cfm @ 348 psi	20 m ³ /min @ 24 bar

WM50SD HAMMER

5" DTH HAMMER

Item Description	Weight		Part NO.
	kg	lb	
01.Top Sub	17.74	39.1	WM50SD-1
02.Check Valve	0.18	0.4	WM50SD-2
03.Spring	0.05	0.11	WM50SD-3
04.O-ring	0.01	0.02	95X3.55/GB3452.1
05.Make-up Ring	0.08	0.18	WM50SD-4
06.Check Valve Guide	0.64	1.4	WM50SD-5
07.Retainer pin	0.17	0.37	WM50SD-6
08.Choke Set	0.05	0.11	WM50SD-8
09.Air Distributor	2.3	5.07	WM50SD-7
10.Piston	12.83	28.3	WM50SD-9
11.Piston Retainer Ring	0.05	0.11	WM50SD-11
12.Wear Sleeve (Reversible)	29	63.9	WM50SD-10
13.O-ring	0.01	0.02	87.5X3.55/GB3452.1
14.Bit Retainer	0.6	1.32	WM50SD-13
15.Guide Sleeve	3.6	7.9	WM50SD-12
16.Chuck	6.3	13.9	WM50SD-14

Seal Kit | 04x1 | 08x1 | 13x1 | Rebuild Kit | 01x1 | 12x1 | 16x1 | Seal Kit

Bit Specification

No. of Spines	12
L (mm)	260
L (inch)	10.2
Bit Shank	M50
Bit Diameter (mm)	Φ135-Φ155
Bit Diameter (in)	5 1/4 - 6 1/8



Specifications

	Metric	Imperial
--	--------	----------

Hammer Length without Bit	1013 mm	39.88 in
Weight without Bit	75.28 kg	166 lb
Outside Diameter of the Hammer	Φ126 mm	5 in
Top Sub Thread	API 3 1/2" REG PIN	
Working Air Pressure Range	10-25 bar/145-363 psi	
Recommended Rotary Speed	30-60 r/min	
Impact Rate at 17 Bar	32 Hz	

Air Consumption	545 cfm @ 246.6 psi	15.25 m ³ /min @ 17 bar
	825 cfm @ 348 psi	23.1 m ³ /min @ 24 bar

6" DTH HAMMER

WD60R HAMMER

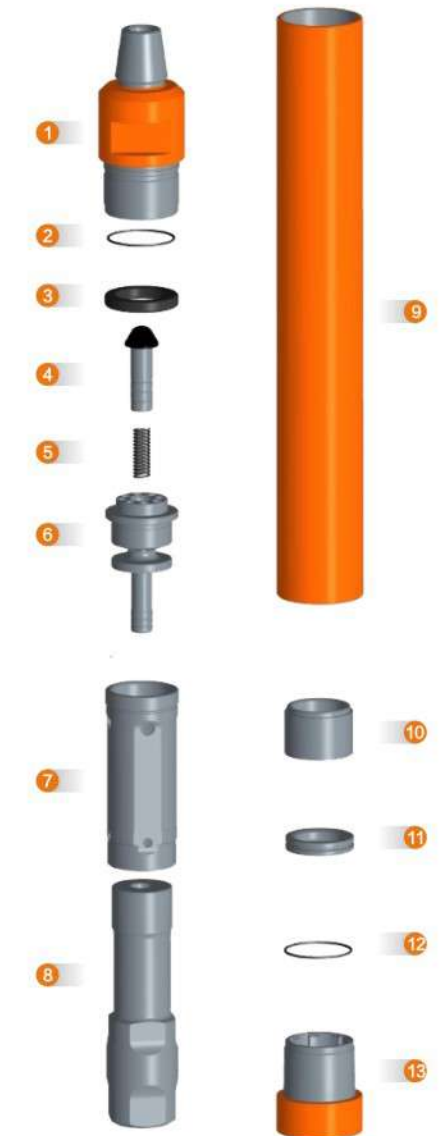
6" DTH HAMMER

Item Description	Weight		Part NO.
	kg	lb	
01.Top Sub	20.32	44.8	WD60R-1
02.O-ring	0.01	0.02	100X3.55/GB3452.1
03.Bear Ring	0.08	0.18	WD60R-4
04.Check Valve	1	2.2	WD60R-5
05.Spring	0.04	0.09	WD60-4
06.Air Distributor	5.1	11.24	WD60R-7
07.Inner Cylinder	5.2	11.46	WD60R-9
08.Piston	23.5	51.81	WD60R-10
09.Wear Sleeve	37	81.57	WD60R-11
10.Guide Sleeve	2.57	5.67	WD60R-12
11.Bit Retainer	0.85	1.87	WD60-11
12.O-ring	0.01	0.02	100X3.55/GB3452.1
13.Chuck	7.88	17.37	WD60-12

Seal Kit | 02x1 | 12x1 | Rebuild Kit | 01x1 | 09x1 | 13x1 | Seal Kit

Bit Specification

No. of Spines	8
L (mm)	309
L (inch)	12.17
Bit Shank	DHD360/COP64
Bit Diameter (mm)	Φ152-Φ203
Bit Diameter (in)	6-8



Specifications	Metric	Imperial
Hammer Length without Bit	1152.5 mm	45.37 in
Weight without Bit	103.56 kg	228.31 lb
Outside Diameter of the Hammer	Φ 146 mm	5.75 in
Top Sub Thread	API 3 1/2" REG PIN	
Working Air Pressure Range	10-25 bar/145-363 psi	
Recommended Rotary Speed	25-50 r/min	
Impact Rate at 17 Bar	25 Hz	
Air Consumption	696 cfm @ 246.6 psi	19.5 m ³ /min @ 17 bar
	982 cfm @ 348 psi	27.5 m ³ /min @ 24 bar

WSD6R HAMMER

6" DTH HAMMER



Item Description	Weight		Part NO.
	kg	lb	
01.Top Sub	20.2	44.53	WD60R-1
02.O-ring	0.01	0.02	100X3.55/GB3452.1
03.Check Valve	1	2.2	WD60R-5
04.Spring	0.05	0.11	WD60-4
05.Bear Ring	0.1	0.22	WSD6R-4
06.Air Distributor	3.75	8.27	WSD6R-7
07.Inner Cylinder	5.2	11.46	WSD6R-9
08.Wear Sleeve	33.8	74.52	WSD6R-10
09.Piston	24.8	54.67	WSD6R-9
10.O-ring	0.01	0.02	100X3.55/GB3452.1
11.Bit Retainer	0.55	1.21	WSD6R-11
12.Chuck Ring	2.7	5.95	WSD6R-12
13.Chuck	9.45	20.83	WSD6R-13

Seal Kit | 02x1 | 10x1 | Rebuild Kit | 01x1 | 08x1 | 13x1 | Seal Kit

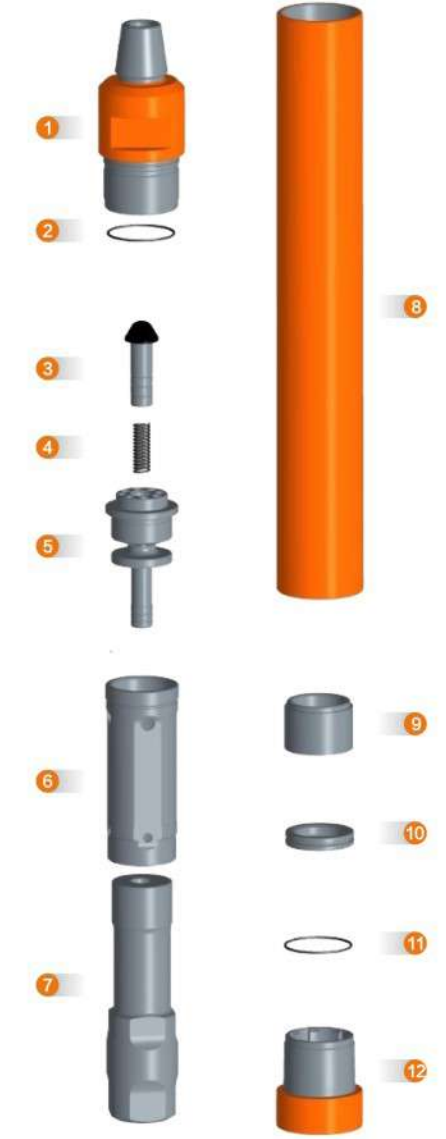
Bit Specification

No.of Spines	8	
L (mm)	324	
L (inch)	12.76	
Bit Shank	SD6	
Bit Diameter (mm)	Φ152-Φ203	
Bit Diameter (in)	6 - 8	

Specifications	Metric	Imperial
Hammer Length without Bit	1182 mm	46.54 in
Weight without Bit	101.6 kg	224 lb
Outside Diameter of the Hammer	Φ146 mm	5.75 in
Top Sub Thread	API 3 1/2" REG PIN	
Working Air Pressure Range	10-25 bar/145-363 psi	
Recommended Rotary Speed	25-50 r/min	
Impact Rate at 17 Bar	25 Hz	
Air Consumption	696 cfm @ 246.6 psi	19.5 m ³ /min @ 17 bar
	964 cfm @ 348 psi	27 m ³ /min @ 24 bar

WQL60R HAMMER

6" DTH HAMMER



Item Description	Weight		Part NO.
	kg	lb	
01.Top Sub	18.73	41.29	WD60-1
02.O-ring	0.01	0.02	100X3.55/GB3452.1
03.Check Valve	0.65	1.43	WD60-3
04.Spring	0.1	0.22	WD60-4
05.Air Distributor	3.88	8.55	WQL60R-7
06.Inner Cylinder	4.18	9.22	WQL60R-9
07.Piston	20.44	45.06	WQL60R-10
08.Wear Sleeve	32	70.55	WQL60R-11
09.Guide Sleeve	1.83	4.03	WQL60R-12
10.Bit Retainer	0.7	1.54	WQL60R-13
11.O-ring	0.01	0.02	100X3.55/GB3452.1
12.Chuck	6.08	13.4	WQL60R-15

Seal Kit | 02x1 | 11x1 | Rebuild Kit | 01x1 | 08x1 | 12x1 | Seal Kit

Bit Specification

No.of Spines	12	
L (mm)	253	
L (inch)	9.96	
Bit Shank	QL60	
Bit Diameter (mm)	Φ152-Φ203	
Bit Diameter (in)	6 - 8	

Specifications	Metric	Imperial
Hammer Length without Bit	1057 mm	41.61 in
Weight without Bit	95 kg	209.4 lb
Outside Diameter of the Hammer	Φ146 mm	5.75 in
Top Sub Thread	API 3 1/2" REG PIN	
Working Air Pressure Range	10-25 bar/145-363 psi	
Recommended Rotary Speed	25-50 r/min	
Impact Rate at 17 Bar	25 Hz	
Air Consumption	696 cfm @ 246.6 psi	19.5 m ³ /min @ 17 bar
	975 cfm @ 348 psi	27.3 m ³ /min @ 24 bar

WQL60RD HAMMER

6" DTH HAMMER



Item Description	Weight		Part NO.
	kg	lb	
01.Top Sub	21	46.3	WQL60RD-1
02.O-ring	0.01	0.02	115X3.55/GB3452.1
03.Check Valve	0.65	1.43	WD60-3
04.Spring	0.1	0.22	WD60-4
05.Air Distributor	7.22	15.9	WQL60RD-7
06.Inner Cylinder	6.06	13.36	WQL60RD-9
07.Piston	23.8	52.47	WQL60RD-10
08.Wear Sleeve (Reversible)	32	70.55	WQL60RD-11
09.Piston Retainer Ring	0.1	0.22	WQL60RD-16
10.Guide Sleeve	6.6	14.55	WQL60RD-12
11.O-ring	0.01	0.02	115X3.55/GB3452.1
12.Bit Retainer	0.77	1.7	WQL60RD-13
13.Chuck	5.46	12.04	WQL60RD-15

Seal Kit | 02x1 | 11x1 | Rebuild Kit | 01x1 | 08x1 | 13x1 | Seal Kit

Bit Specification

No.of Spines	12
L (mm)	253
L (inch)	9.96
Bit Shank	QL60
Bit Diameter (mm)	Φ152-Φ203
Bit Diameter (in)	6 - 8



Specifications	Metric	Imperial
----------------	--------	----------

Hammer Length without Bit	1180 mm	46.46 in
Weight without Bit	104 kg	229.3 lb
Outside Diameter of the Hammer	Φ148 mm	5.83 in
Top Sub Thread	API 3 1/2" REG PIN	
Working Air Pressure Range	10-25 bar/145-363 psi	
Recommended Rotary Speed	25-50 r/min	
Impact Rate at 17 Bar	25 Hz	

Air Consumption	696 cfm @ 246.6 psi	19.5 m ³ /min @ 17 bar
	975 cfm @ 348 psi	27.3 m ³ /min @ 24 bar

WM60B HAMMER

6" DTH HAMMER



Item Description	Weight		Part NO.
	kg	lb	
01.Top Sub	20.8	45.86	WM60B-01
02.O-ring	0.01	0.02	122X3.55/GB3452.1
03.Check Valve	0.6	1.32	WD60-3
04.Spring	0.05	0.11	WD60-4
05.Air Distributor	3.5	7.72	WM60B-02
06.Inner Cylinder	3.8	8.38	WM60B-03
07.Piston	21.6	47.63	WM60B-04
08.Wear Sleeve	30	66.15	WM60B-05
09.Guide Sleeve	4.8	10.58	WM60B-06
10.Bit Retainer	0.8	1.76	WM60B-07
11.O-ring	0.01	0.02	103X3.55/GB3452.1
12.Chuck	5.6	12.35	WM60B-08

Seal Kit | 02x1 | 11x1 | Rebuild Kit | 01x1 | 08x1 | 12x1 | Seal Kit

Bit Specification

No.of Spines	12
L (mm)	231
L (inch)	9.09
Bit Shank	M60
Bit Diameter (mm)	Φ152-Φ203
Bit Diameter (in)	6 - 8



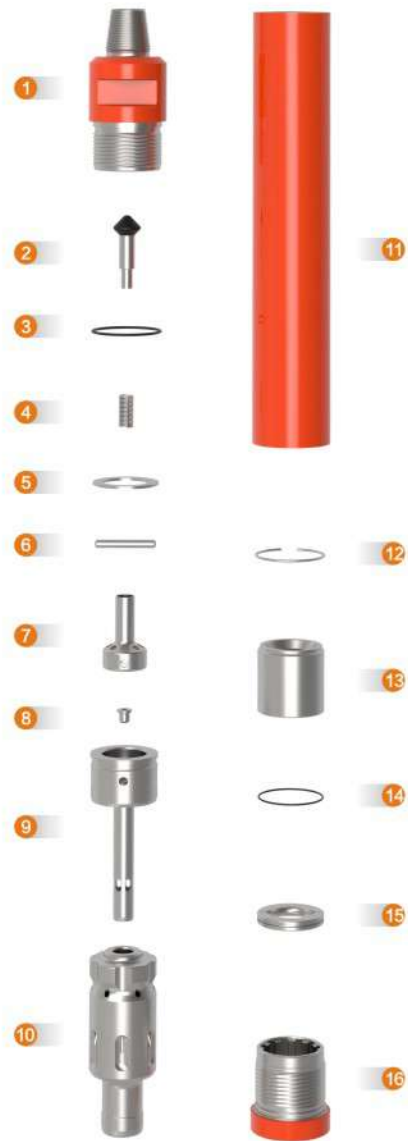
Specifications	Metric	Imperial
----------------	--------	----------

Hammer Length without Bit	1127 mm	44.37 in
Weight without Bit	92 kg	202.83 lb
Outside Diameter of the Hammer	144 mm	5.67 in
Top Sub Thread	API 3 1/2" REG PIN	
Working Air Pressure Range	10-25 bar/145-363 psi	
Recommended Rotary Speed	25-50 r/min	
Impact Rate at 17 Bar	27 Hz	

Air Consumption	629 cfm @ 246.6 psi	17.6 m ³ /min @ 17 bar
	882 cfm @ 348 psi	24.7 m ³ /min @ 24 bar

WM60CSD HAMMER

6" DTH HAMMER

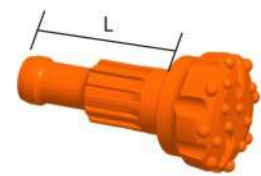


Item Description	Weight		Part NO.
	kg	lb	
01.Top Sub	20.5	45.20	WM60CSD-01
02.Check Valve	0.6	1.32	WM60CSD-02
03.O-ring	0.01	0.02	118X5.3/GB3452.1
04.Spring	0.01	0.02	WM60CSD-03
05.Cushion Ring	0.07	0.15	WM60CSD-04
06.Pin	0.17	0.37	WM60CSD-06
07.Air Distributor Cap	0.87	1.92	WM60CSD-07
08.Air Plug	0.01	0.02	WM60CSD-08
09.Air Distributor	4.6	10.14	WM60CSD-05
10.Piston	18.5	40.79	WM60CSD-09
11.Wear Sleeve	27.5	60.64	WM60BSD-02
12.Bit Retainer Ring	0.05	0.11	WM60CSD-10
13.Guide Sleeve	6.3	13.89	WM60CSD-11
14.O-ring	0.01	0.02	112X3.55/GB3452.1
15.Bit Retainer	1	2.21	WM60CSD-12
16.Chuck	5.3	11.69	WM60BSD-03

Seal Kit | 03x1 | 14x1 | Rebuild Kit | 01x1 | 11x1 | 16x1 | Seal Kit

Bit Specification

No.of Spines	12	
L (mm)	231	
L (inch)	9.09	
Bit Shank	M60	
Bit Diameter (mm)	Φ152-Φ203	
Bit Diameter (in)	6 - 8	



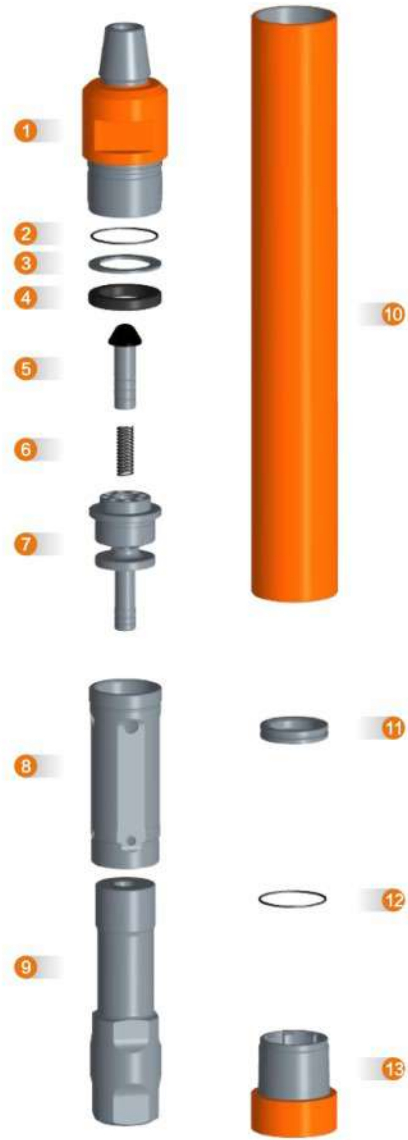
Specifications	Metric	Imperial
Hammer Length without Bit	1099 mm	43.27 in
Weight without Bit	85.5 kg	188.5 lb
Outside Diameter of the Hammer	143 mm	5.63 in
Top Sub Thread	API 3 1/2" REG PIN	
Working Air Pressure Range	10-25 bar/145-363 psi	
Recommended Rotary Speed	25-50 r/min	
Impact Rate at 17 Bar	26 Hz	
Air Consumption	629 cfm @ 246.6 psi	17.6 m³/min @ 17 bar
	882 cfm @ 348 psi	24.7 m³/min @ 24 bar



8" DTH HAMMER

WD80R HAMMER

8" DTH HAMMER



Item Description	Weight		Part NO.
	kg	lb	
01.Top Sub	41.2	90.83	WD80R-1
02.O-ring	0.01	0.02	132X5.3/GB3452.1
03.Make-up Ring	0.2	0.44	WD80R-3
04.Bear Ring	0.08	0.18	WD80R-4
05.Check Valve	1.5	3.3	WD80R-5
06.Spring	0.1	0.22	WD80A-4
07.Air Distributor	12.4	27.33	WD80R-7
08.Inner Cylinder	8.33	18.36	WD80R-9
09.Piston	41.2	90.83	WD80R-10
10.Wear Sleeve	62.2	137.13	WD80R-11
11.Bit Retainer	1.3	2.87	WD80R-12
12.O-ring	0.01	0.02	120X3.55/GB3452.1
13.Chuck	17.6	38.8	WD80R-14

Seal Kit | 02x1 | 12x1 | Rebuild Kit | 01x1 | 10x1 | 13x1 | Seal Kit

Bit Specification

No.of Spines	10	
L (mm)	350	
L (inch)	13.78	
Bit Shank	DHD380/COP84	
Bit Diameter (mm)	Φ195-Φ305	
Bit Diameter (in)	7 5/8-12	

Specifications	Metric	Imperial
Hammer Length without Bit	1384 mm	54.49 in
Weight without Bit	186.5 kg	411.2 lb
Outside Diameter of the Hammer	Φ 180 mm	7.09 in
Top Sub Thread	API 4 1/2" REG PIN	
Working Air Pressure Range	10-25 bar/145-363 psi	
Recommended Rotary Speed	20-45 r/min	
Impact Rate at 17 Bar	20 Hz	
Air Consumption	964 cfm @ 246.6 psi	27 m ³ /min @ 17 bar
	1554 cfm @ 348 psi	43.5 m ³ /min @ 24 bar

WSD8R HAMMER

8" DTH HAMMER



Item Description	Weight		Part NO.
	kg	lb	
01.Top Sub	41.2	90.83	WD80R-1
02.O-ring	0.01	0.02	120-132X5.3/GB3452.1
03.Make-up Ring	0.3	0.66	WD80R-3
04.Check Valve	1.5	3.31	WD80R-5
05.Spring	0.1	0.22	WD80A-4
06.Bearing Ring	0.1	0.22	WD80R-4
07.Air distributor	12.4	27.34	WD80R-7
08.Inner Cylinder	8.5	18.74	WD80R-9
09.Wear Sleeve	62.2	137.13	WSD8R-11
10.Piston	41.2	90.83	WSD8R-10
11.O-ring	0.01	0.02	120-132X3.55/GB3452.1
12.Bit Retainer	1	2.2	WSD8R-12
13.Chuck Ring	2.55	5.62	WSD8R-13
14.Chuck	17.6	38.80	WSD8R-14

Seal Kit | 02x1 | 11x1 | Rebuild Kit | 01x1 | 09x1 | 14x1 | Seal Kit

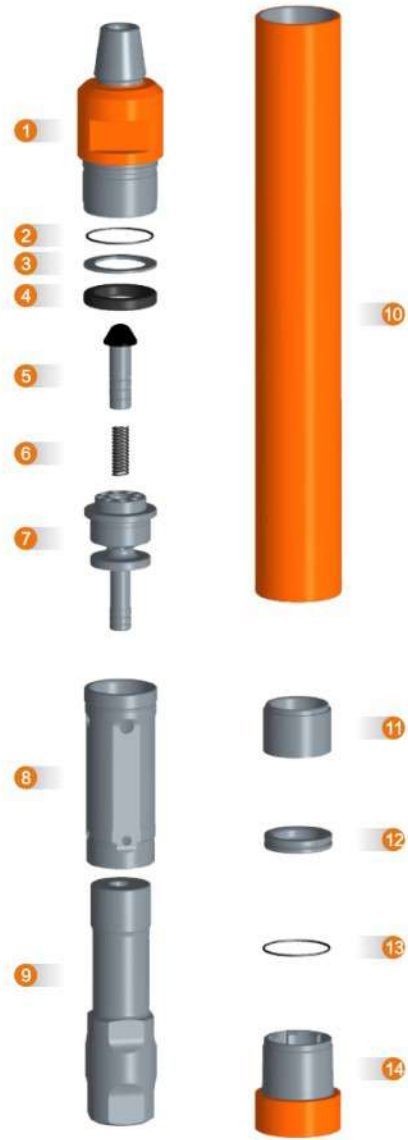
Bit Specification

No.of Spines	8	
L (mm)	321	
L (inch)	12.64	
Bit Shank	SD8	
Bit Diameter (mm)	Φ195-Φ305	
Bit Diameter (in)	7 5/8-12	

Specifications	Metric	Imperial
Hammer Length without Bit	1356 mm	53.39 in
Weight without Bit	188.7 kg	416 lb
Outside Diameter of the Hammer	Φ 180 mm	7.09 in
Top Sub Thread	API 4 1/2" REG PIN	
Working Air Pressure Range	10-25 bar/145-363 psi	
Recommended Rotary Speed	20-45 r/min	
Impact Rate at 17 Bar	20 Hz	
Air Consumption	964 cfm @ 246.6 psi	27 m ³ /min @ 17 bar
	1536 cfm @ 348 psi	43 m ³ /min @ 24 bar

WQL80R HAMMER


8" DTH HAMMER



Item Description	Weight		Part NO.
	kg	lb	
01.Top Sub	41.2	90.83	WD80R-1
02.O-ring	0.02	0.04	145X5.3/GB3452.1
03.Make-up Ring	0.2	0.44	WD80R-3
04.Bear Ring	0.1	0.22	WD80R-4
05.Check Valve	1.5	3.31	WD80R-5
06.Spring	0.1	0.22	WD80A-4
07.Air Distributor	12.4	27.34	WD80R-7
08.Inner Cylinder	8.33	18.36	WD80R-9
09.Piston	41.2	90.83	WQL80R-10
10.Wear Sleeve	62.2	137.13	WQL80R-11
11.Guide Sleeve	6	13.23	WQL80R-13
12.Bit Retainer	1.2	2.65	WD80R-12
13.O-ring	0.02	0.04	132X3.55/GB3452.1
14.Chuck	17.6	38.8	WQL80R-14

Seal Kit | 02x1 | 13x1 | Rebuild Kit | 01x1 | 10x1 | 14x1 | Seal Kit

Bit Specification

No.of Spines	16	
L (mm)	331	
L (inch)	13.03	
Bit Shank	QL80	
Bit Diameter (mm)	φ195-φ305	
Bit Diameter (in)	7 5/8-12	

Specifications	Metric	Imperial
Hammer Length without Bit	1365 mm	53.74 in
Weight without Bit	192 kg	423.29 lb
Outside Diameter of the Hammer	φ180 mm	7.09 in
Top Sub Thread	API 4 1/2" REG PIN	
Working Air Pressure Range	10-25 bar/145-363 psi	
Recommended Rotary Speed	20-45 r/min	
Impact Rate at 17 Bar	20 Hz	
Air Consumption	971 cfm @ 246.6 psi	27.2 m³/min @ 17 bar
	1554 cfm @ 348 psi	43.5 m³/min @ 24 bar


WM80 HAMMER

8" DTH HAMMER

Item Description	Weight		Part NO.
	kg	lb	
01.Top Sub	34.4	75.54	WD80A-1
02.O-ring	0.01	0.02	150X3.55/GB3452.1
03.Check Valve	1.2	2.65	WD80A-3
04.Spring	0.1	0.22	WD80A-4
05.Air Distributor	5.8	12.79	WM80-5
06.Inner Cylinder	6.7	14.77	WM80-6
07.Piston	43.8	96.56	WM80-7
08.Wear Sleeve	61	134.48	WD80A-8
09.Guide Sleeve	5.4	11.9	WM80-9
10.O-ring	0.01	0.02	136X3.55/GB3452.1
11.Bit Retainer	1.3	2.87	WM80-12
12.Chuck	17.1	37.7	WM80-14

Seal Kit | 02x1 | 10x1 | Rebuild Kit | 01x1 | 08x1 | 12x1 | Seal Kit

Bit Specification

No.of Spines	12	
L (mm)	329	
L (inch)	12.95	
Bit Shank	M80	
Bit Diameter (mm)	φ195-φ305	
Bit Diameter (in)	7 5/8-12	



Specifications	Metric	Imperial
Hammer Length without Bit	1225.2 mm	48.24 in
Weight without Bit	177 kg	390.2 lb
Outside Diameter of the Hammer	180 mm	7.09 in
Top Sub Thread	API 4 1/2" REG PIN	
Working Air Pressure Range	10-25 bar/145-363 psi	
Recommended Rotary Speed	20-45 r/min	
Impact Rate at 17 Bar	25 Hz	
Air Consumption	771 cfm @ 246.6 psi	21.6 m³/min @ 17 bar
	1393 cfm @ 348 psi	39 m³/min @ 24 bar

WM80SD HAMMER

8" DTH HAMMER

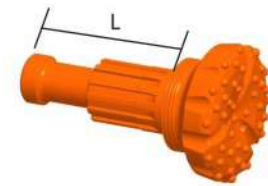


Item Description	Weight		Part NO.
	kg	lb	
01.Top Sub	43.5	95.92	WM80SD-01
02.Check Valve	0.48	1.06	WM80SD-02
03.Spring	0.09	0.2	WM80SD-03
04.Air Distributor Cap	0.88	1.94	WM80SD-04
05.O-ring	0.01	0.02	150X3.55/GB3452.1
06.Pin	0.32	0.71	WM80SD-05
07.O-ring	0.01	0.02	75X3.55/GB3452.1
08.Air Distributor	1.9	4.19	WM80SD-06
09.Air Plug	0.005	0.01	WM60CSD-08
10.Piston	39.7	87.54	WM80SD-07
11.Wear Sleeve	55.1	121.50	WM80SD-08
12.Bit Retainer Ring	0.16	0.35	WM80SD-09
13.Guide Sleeve	10.7	23.59	WM80SD-10
14.O-ring	0.01	0.02	142.5X3.55/GB3452.1
15.Bit Retainer	1.9	4.19	WM80SD-11
16.O-ring	0.01	0.02	140X3.55/GB3452.1
17.Chuck	15.3	33.74	WM80SD-12

Seal Kit | 05x1 | 07x2 | 14x2 | 16x1 | Rebuild Kit | 01x1 | 11x1 | 17x1 | Seal Kit

Bit Specification

No.of Spines	12
L (mm)	329
L (inch)	12.95
Bit Shank	M80
Bit Diameter (mm)	Φ195-Φ305
Bit Diameter (in)	7 5/8-12



Specifications

Specifications	Metric	Imperial
Hammer Length without Bit	1287 mm	50.67 in
Weight without Bit	170 kg	374.79 lb
Outside Diameter of the Hammer	181 mm	7.13 in
Top Sub Thread	API 4 1/2" REG PIN	
Working Air Pressure Range	10-25 bar/145-363 psi	
Recommended Rotary Speed	20-45 r/min	
Impact Rate at 17 Bar	25 Hz	
Air Consumption	771 cfm @ 246.6 psi	21.6 m³/min @ 17 bar
	1393 cfm @ 348 psi	39 m³/min @ 24 bar

10" DTH HAMMER



WSD10R HAMMER

10" DTH HAMMER



Item Description	Weight		Part NO.
	kg	lb	
01.Top Sub	65.5	144.10	WNM100R-01
02. O-ring	0.01	0.02	182.5 × 3.55/GB3452.1
03. Check Valve	2.5	5.50	WNM100R-02
04. Bearing Ring	0.31	0.68	WNM100R-03
05.Spring	0.15	0.33	WNM100R-04
06.O-ring	0.01	0.02	150 × 2.65/GB3452.1
07.Air Distributor	12.5	27.50	WNM100R-05
08.Inner Cylinder	12	26.40	WNM100R-06
09.Piston	65.5	144.10	WNM100R-07
10.Wear Sleeve	121.2	266.64	WSD10R-01
11.Bit Retainer	1.8	3.96	WSD10R-02
12.O-ring	0.01	0.02	170 × 3.55/GB3452.1
13.Chuck Ring	4.5	9.90	WSD10R-03
14.Chuck	25.3	55.66	WSD10R-04

Seal Kit | 02x1 | 06x1 | 11x1 | Rebuild Kit | 01x1 | 05x1 | 09x1 | 10x1 | 12x1 | Seal Kit

Bit Specification

No. of Spines	8
L (mm)	355
L (inch)	14.02
Bit Shank	SD10
Bit Diameter (mm)	Φ254-Φ350
Bit Diameter (in)	10-13 3/4



Specifications	Metric	Imperial
Hammer Length without Bit	1497 mm	58.94 in
Weight without Bit	312 kg	687.84 lb
Outside Diameter of the Hammer	Φ225 mm	8.86 in
Top Sub Thread	API 6 5/8" REG PIN	
Working Air Pressure Range	15-33 bar/217.6-478.6 psi	
Recommended Rotary Speed	25-50 r/min	
Impact Rate at 17 Bar	20 Hz	
Air Consumption	1412.4 cfm @ 261 psi	40 m ³ /min @ 18 bar
	2118.6 cfm @ 348 psi	60 m ³ /min @ 24 bar

WNM100R HAMMER

10" DTH HAMMER

Item Description	Weight		Part NO.
	kg	lb	
01.Top Sub	59.3	130.73	WNM100R-01
02.Make-up Ring	0.9	1.98	WNM100R-03
03.O-ring	0.02	0.04	182.5X3.55/GB3452.1
04.Check Valve	1.6	3.53	WNM100R-02
05.Spring	0.3	0.66	WNM100R-04
06.Air Distributor	11.6	25.57	WNM100R-05
07.Inner Cylinder	11.2	24.7	WNM100R-06
08.Piston	62	136.69	WNM100R-07
09.Wear Sleeve	110.9	244.5	WNM100R-08
10.O-ring for Guide Sleeve	0.02	0.04	170X3.55/GB3452.1
11.Bit Retainer	3.2	7.05	WNM100R-09
12.Chuck	26	57.23	WNM100R-10

Seal Kit | 03x1 | 10x1 | Rebuild Kit | 01x1 | 09x1 | 12x1 | Seal Kit

Bit Specification

No. of Spines	10
L (mm)	375
L (inch)	14.76
Bit Shank	N100
Bit Diameter (mm)	Φ254-Φ350
Bit Diameter (in)	10-13 3/4



Specifications	Metric	Imperial
Hammer Length without Bit	1515 mm	59.65 in
Weight without Bit	285.4 kg	629.2 lb
Outside Diameter of the Hammer	Φ225 mm	8.86 in
Top Sub Thread	API 6 5/8" REG PIN	
Working Air Pressure Range	10-25 bar/145-363 psi	
Recommended Rotary Speed	15-35 r/min	
Impact Rate at 17 Bar	20 Hz	
Air Consumption	1286 cfm @ 246.6 psi	36 m ³ /min @ 17 bar
	1818 cfm @ 348 psi	50.9 m ³ /min @ 24 bar

12" DTH HAMMER

WSD12AR HAMMER

12" DTH HAMMER

Item Description	Weight		Part NO.
	kg	lb	
01.Top Sub	130	286	WSD12AR-01
02. O-ring	0.01	0.02	218 × 5.3/GB3452.1
03.Make-up Ring	1	2.20	WSD12AR-02
04.Check Valve	1.6	3.52	WSD12AR-03
05.Spring	0.15	0.33	WSD12AR-04
06.Air Distributor	20.5	45.10	WSD12AR-05
07.Inner Cylinder	28.6	62.92	WSD12AR-06
08.Piston	118	259.60	WSD12AR-07
09.Wear Sleeve	192	422.40	WSD12AR-08
10.Bit Retainer	5.2	11.44	WSD12AR-09
11.O-ring	0.01	0.02	203 × 5.3/GB3452.1
12.Guide sleeve	9.8	21.56	WSD12AR-10
13.Chuck	48.6	106.92	WSD12AR-11
Seal Kit 02x1 11x1	Rebuild Kit 01x1 05x1 09x1 10x1 13x1	Seal Kit	

Bit Specification

No. of Spines	8	
L (mm)	470	
L (inch)	18.5	
Bit Shank	SD12	
Bit Diameter (mm)	Φ305-Φ380	
Bit Diameter (in)	12-15	



Specifications	Metric	Imperial
Hammer Length without Bit	1823 mm	77.71 in
Weight without Bit	556 kg	1225.77 lb
Outside Diameter of the Hammer	Φ270 mm	10.63 in
Top Sub Thread	API 6 5/8" REG PIN	
Working Air Pressure Range	15-33 bar/217.6-478.6 psi	
Recommended Rotary Speed	25-50 r/min	
Impact Rate at 17 Bar	18 Hz	
Air Consumption	1765.5 cfm @ 261 psi	40 m³/min @ 18 bar
	2471.7 cfm @ 348 psi	55 m³/min @ 24 bar

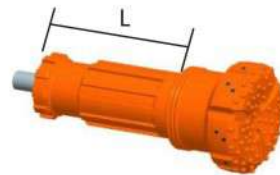
WNM120R HAMMER

12" DTH HAMMER



Item Description	Weight		Part NO.
	kg	lb	
01.Top Sub	101.7	224.2	WNM120R-01
02.Make-up Ring	1.1	2.43	WNM120R-02
03.O-ring	0.02	0.04	218X5.3/GB3452.1
04.Check Valve	2.27	5	WNM120R-03
05.Spring	0.15	0.33	WNM120R-04
06.Air Distributor	18.1	39.9	WNM120R-05
07.Inner Cylinder	23.87	52.62	WNM120R-06
08.Piston	91.7	202.16	WNM120R-07
09.Wear Sleeve	192.7	424.8	WNM120R-08
10.Guide Sleeve	10.1	22.05	WNM120R-09
11.O-ring for Guide Sleeve	0.02	0.04	206X5.3/GB3452.1
12.Bit Retainer	5	11.02	WNM120R-10
13.Chuck Ring	1.1	2.43	WNM120R-02
14.Chuck	52.6	115.96	WNM120R-11
Seal Kit 03x1 11x1	Rebuild Kit 01x1 09x1 14x1	Seal Kit	

Bit Specification	
No.of Spines	12
L (mm)	490
L (inch)	19.29
Bit Shank	N120
Bit Diameter (mm)	Φ305-Φ380
Bit Diameter (in)	12-15



Specifications	Metric	Imperial
Hammer Length without Bit	1680 mm	66.14 in
Weight without Bit	501 kg	1104.5 lb
Outside Diameter of the Hammer	Φ272 mm	10.7 in
Top Sub Thread	API 6 5/8" REG PIN	
Working Air Pressure Range	10-25 bar/145-363 psi	
Recommended Rotary Speed	15-35 r/min	
Impact Rate at 17 Bar	18 Hz	
Air Consumption	1611 cfm @ 261 psi	45.1 m³/min @ 17 bar
	1929 cfm @ 348 psi	54 m³/min @ 24 bar



WONTECH DTH BITS

► CHOOSE THE RIGHT DTH BITS

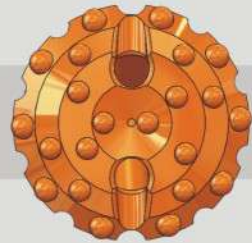
According to rock formations and other requirements, WONTECH can tailor a drill bit design on bit face shape, shape and distribution of buttons, flushing holes and exhaust holes configurations and etc.



FACE OPTIONS

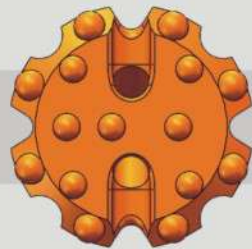
DTH BIT

According to rock formations and other requirements, WONTECH can tailor a drill bit design on bit face shape, shape and distribution of buttons, flushing holes and exhaust holes configurations and etc.



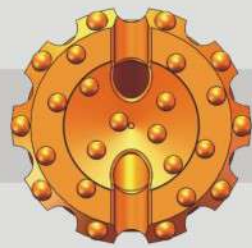
Convex-concave

The face is a combination of convex / concave. It is recommended for soft to medium hard rock, fractured formations. Higher productivity.



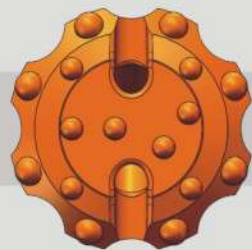
Flat

Used for general purpose drilling, the flat face design is considered effective in very broken ground as well as very hard formations.



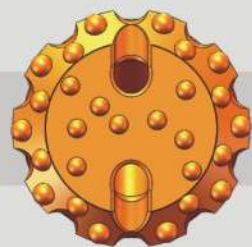
Concave

It is recommended for soft to hard formations. Concave face design offers good stability in drilling work and help reducing the vibration of the equipment so that the rig can drill straighter holes.



Convex

Suitable for most drilling applications, particularly soft, medium hard and abrasive rock to give a combination of speed and good service life.



Flat

Face face but with double gauge buttons. This design can provide high penetration rate and resist the abrasion during drilling hard formations

BUTTON OPTIONS

DTH BIT

When choosing the bit design that will meet ground conditions, the carbide button shape and grade is quite crucial in drilling works. The following shows the shapes of carbide that are commonly seen in DTH drill bits and also the descriptions of their functions

Spherical/Hem/Domed

Usually as gauge and front buttons for hard abradis rock and deep hole drilling. Can be used in all applications. It has good wear resistance.



Semi-ballistic/Parabolic

Usually as gauge and front buttons to increase the drilling speed over spherical buttons. Ideal for less abrasive rock where the drilling speed is requested. Not suitable to fracture formation and hard rock.



Ballistic/Conical

Usually as gauge and front buttons. Suitable for sedimentary and fracture formation.



Cylinder


Usually as anti-wear buttons on special position like shoulder of hammer's top sub, bit's body etc which helps enlong the service life of the hammer and bit.



WT SHANK SERIES

DTH BIT


WT3 SHANK BIT	Diameter		Flushing Hole	Spine	Gauge Button	Front Button	Length of Bit Shank	Weight	
	mm	inch	No.	No.	No. mm	No. mm	mm	Kg	lb
	Φ90	3 1/2	2	6	6XΦ14	6XΦ12	130	3.5	7.72
	Φ95	3 3/4	2	6	7XΦ14	6XΦ12	130	3.95	8.7
	Φ100	3 7/8	2	6	7XΦ14	6XΦ13	130	4.3	9.5
	Φ105	4 1/8	2	6	7XΦ14	6XΦ13	130	4.5	9.9

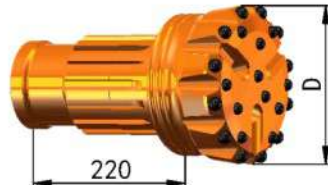
WT4 SHANK BIT	Diameter		Flushing Hole	Spine	Gauge Button	Front Button	Length of Bit Shank	Weight	
	mm	inch	No.	No.	No. mm	No. mm	mm	Kg	lb
	Φ105	4 1/8	2	8	7XΦ14	6XΦ13	142	6	13.2
	Φ110	4 3/8	2	8	7XΦ14	6XΦ13	142	6.2	13.7
	Φ115	4 1/2	2	8	7XΦ16	6XΦ14	142	6.45	14.2
	Φ120	4 3/4	2	8	7XΦ16	7XΦ14	142	7	15.4
	Φ127	5	2	8	8XΦ16	7XΦ14	142	7.4	16.3

WT5 SHANK BIT	Diameter		Flushing Hole	Spine	Gauge Button	Front Button	Length of Bit Shank	Weight	
	mm	inch	No.	No.	No. mm	No. mm	mm	Kg	lb
	Φ135	5 3/8	2	8	8XΦ16	7XΦ14	170	11.5	25.4
	Φ140	5 1/2	2	8	7XΦ18	7XΦ16	170	12.5	27.6
	Φ146	5 3/4	2	8	8XΦ18	7XΦ16	170	13	28.7
	Φ152	6	2	8	8XΦ18	7XΦ16	170	13.2	29.1
	Φ165	6 1/2	3	8	9XΦ16	9XΦ16	170	14	30.9

WT SHANK SERIES

DTH BIT

WT6 SHANK BIT	Diameter		Flushing Hole	Spine	Gauge Button	Front Button	Length of Bit Shank	Weight	
	mm	inch	No.	No.	No. mm	No. mm	mm	Kg	lb
	Φ152	6	2	10	8XΦ18	7XΦ16	200	18	39.7
	Φ165	6 1/2	3	10	9XΦ16	9XΦ16	200	19.23	42.4
	Φ171	6 3/4	3	10	9XΦ18	11XΦ16	200	23	50.7
	Φ190	7 1/2	3	10	9XΦ18	10XΦ18	200	24	52.9
	Φ203	8	3	10	9XΦ18	12XΦ18	200	26.8	59.1

WT8 SHANK BIT	Diameter		Flushing Hole	Spine	Gauge Button	Front Button	Length of Bit Shank	Weight	
	mm	inch	No.	No.	No. mm	No. mm	mm	Kg	lb
	Φ203	8	3	16	9XΦ18	12XΦ18	220	38.6	85.1
	Φ216	8 1/2	3	16	9XΦ18	12XΦ18	220	43.5	95.9
	Φ241	9 1/2	3	16	12XΦ18	17XΦ16	220	57.5	126.8
	Φ254	10	2	16	12XΦ18	26XΦ16	220	60	132.3
	Φ305	12	3	16	12XΦ18	24XΦ16	220	80.5	177.5



DHD SHANK SERIES

DTH BIT

DHD3.5 SHANK BIT	Diameter		Flushing Hole	Spine	Gauge Button	Front Button	Length of Bit Shank	Weight	
	mm	inch	No.	No.	No. mm	No. mm	mm	Kg	lb
		Φ90	3 1/2	2	8	6XΦ14	6XΦ12	180	4.7
	Φ95	3 3/4	2	8	7XΦ13	6XΦ12	180	4.8	10.6
	Φ100	3 7/8	2	8	7XΦ14	6XΦ12	180	4.9	10.8
	Φ105	4 1/8	2	8	7XΦ14	6XΦ13	180	5.3	11.7

DHD340 SHANK BIT	Diameter		Flushing Hole	Spine	Gauge Button	Front Button	Length of Bit Shank	Weight	
	mm	inch	No.	No.	No. mm	No. mm	mm	Kg	lb
		Φ105	4 1/8	2	8	7XΦ14	6XΦ13	209	7.67
	Φ110	4 3/8	2	8	7XΦ14	6XΦ13	209	8	17.6
	Φ115	4 1/2	2	8	7XΦ16	6XΦ14	209	8.5	18.7
	Φ120	4 3/4	2	8	7XΦ16	7XΦ14	209	8.8	19.4
	Φ127	5	2	8	8XΦ16	7XΦ14	209	9.28	20.5

DHD350 SHANK BIT	Diameter		Flushing Hole	Spine	Gauge Button	Front Button	Length of Bit Shank	Weight	
	mm	inch	No.	No.	No. mm	No. mm	mm	Kg	lb
		Φ135	5 3/8	2	8	8XΦ16	7XΦ14	260	15
	Φ140	5 1/2	2	8	7XΦ18	7XΦ16	260	15.5	34.2
	Φ146	5 3/4	2	8	8XΦ18	7XΦ16	260	16.1	35.5
	Φ152	6	2	8	8XΦ18	7XΦ16	260	16.8	37
	Φ165	6 1/2	3	8	9XΦ16	9XΦ16	260	18.1	39.9

DHD SHANK SERIES

DTH BIT

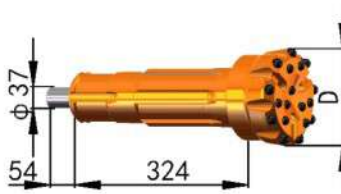
DHD360 SHANK BIT	Diameter		Flushing Hole	Spine	Gauge Button	Front Button	Length of Bit Shank	Weight	
	mm	inch	No.	No.	No. mm	No. mm	mm	Kg	lb
		Φ152	6	2	8	8XΦ18	7XΦ16	309	22
	Φ165	6 1/2	3	8	9XΦ16	9XΦ16	309	23.5	51.8
	Φ171	6 3/4	3	8	9XΦ18	11XΦ16	309	24.8	54.7
	Φ190	7 1/2	3	8	9XΦ18	10XΦ18	309	27.2	60
	Φ203	8	3	8	9XΦ18	12XΦ18	309	30.3	66.8

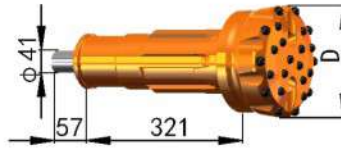
DHD380 SHANK BIT	Diameter		Flushing Hole	Spine	Gauge Button	Front Button	Length of Bit Shank	Weight	
	mm	inch	No.	No.	No. mm	No. mm	mm	Kg	lb
		Φ203	8	3	10	9XΦ18	12XΦ18	350	50
	Φ216	8 1/2	3	10	9XΦ18	12XΦ18	350	52.2	115.3
	Φ241	9 1/2	3	10	12XΦ18	17XΦ16	350	57.7	127.2
	Φ254	10	2	10	12XΦ18	26XΦ16	350	61	134.5
	Φ305	12	3	10	12XΦ18	24XΦ16	350	79.9	176.1

DHD112 SHANK BIT	Diameter		Flushing Hole	Spine	Gauge Button	Front Button	Length of Bit Shank	Weight	
	mm	inch	No.	No.	No. mm	No. mm	mm	Kg	lb
		350	13 3/4	3	8	15XΦ22	12XΦ22 27XΦ19	490	170
	380	15	3	8	15XΦ22	12XΦ22 36XΦ19	490	183	404
	413	16 1/4	3	8	15XΦ22	12XΦ22 39XΦ19	490	198	437
	420	16 14/25	3	8	15XΦ22	12XΦ22 42XΦ19	490	210	463
	430	16 53/57	3	8	15XΦ22	12XΦ22 42XΦ19	490	220	485
	435	17 3/25	3	8	15XΦ22	12XΦ22 42XΦ19	490	225	496

SD SHANK SERIES

DTH BIT

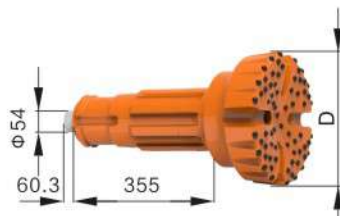
SD6 SHANK BIT	Diameter		Flushing Hole	Spine	Gauge Button	Front Button	Length of Bit Shank	Weight	
	mm	inch	No.	No.	No. mm	No. mm	mm	Kg	lb
	Φ152	6	2	8	8XΦ18	7XΦ16	324	25.1	55.3
	Φ165	6 1/2	3	8	9XΦ16	9XΦ16	324	25.8	56.9
	Φ171	6 3/4	3	8	9XΦ18	11XΦ16	324	26.5	58.4
	Φ190	7 1/2	3	8	9XΦ18	10XΦ18	324	28.6	63.1
	Φ203	8	3	8	9XΦ18	12XΦ18	324	30.1	66.4

SD8 SHANK BIT	Diameter		Flushing Hole	Spine	Gauge Button	Front Button	Length of Bit Shank	Weight	
	mm	inch	No.	No.	No. mm	No. mm	mm	Kg	lb
	Φ203	8	3	8	9XΦ18	12XΦ18	321	40.1	88.4
	Φ216	8 1/2	3	8	9XΦ18	12XΦ18	321	44.3	97.7
	Φ241	9 1/2	3	8	12XΦ18	17XΦ16	321	50.3	110.9
	Φ254	10	2	8	12XΦ18	26XΦ16	321	56.7	125
	Φ305	12	3	8	12XΦ18	24XΦ16	321	73	160.9



SD SHANK SERIES

DTH BIT

SD10 SHANK BIT	Diameter		Flushing Hole	Spine	Gauge Button	Front Button	Length of Bit Shank	Weight	
	mm	inch	No.	No.	No. mm	No. mm	mm	Kg	lb
	Φ254	10	3	8	12XΦ18	15XΦ18 12XΦ16	355	108	238
	Φ276	10 7/8	3	8	15XΦ18	15XΦ18 12XΦ16	355	111	244
	Φ305	12	3	8	15XΦ18	15XΦ18 15XΦ16	355	124.9	275
	Φ330	13	3	8	15XΦ18	9XΦ18 27XΦ16	355	141.6	312
	Φ355	14	3	8	16XΦ18	24XΦ18 24XΦ16	355	151	332


SD12 SHANK BIT	Diameter		Flushing Hole	Spine	Gauge Button	Front Button	Length of Bit Shank	Weight	
	mm	inch	No.	No.	No. mm	No. mm	mm	Kg	lb
	Φ311	12 1/4	3	8	21XΦ18	27XΦ16	470	130	286.6
	Φ350	13 3/4	3	8	27XΦ18	36XΦ18	470	150	330.74
	Φ381	15	4	8	28XΦ19	20XΦ19 24XΦ16	470	180	396.8
	Φ430	16 14/15	4	8	28XΦ19	53XΦ19	470	225	496
	Φ445	17 7/15	4	8	28XΦ19	55XΦ19	470	235	518.1




QL SHANK SERIES

DTH BIT

QL50 SHANK BIT	Diameter		Flushing Hole	Spine	Gauge Button	Front Button	Length of Bit Shank	Weight	
	mm	inch	No.	No.	No. mm	No. mm	mm	Kg	lb
		φ135	5 3/8	2	12	8Xφ16	7Xφ14	240	14
	φ140	5 1/2	2	12	7Xφ18	7Xφ16	240	14.7	32.4
	φ146	5 3/4	2	12	8Xφ18	7Xφ16	240	15.6	34.4
	φ152	6	2	12	8Xφ18	7Xφ16	240	15.7	34.6
	φ165	6 1/2	3	12	9Xφ16	9Xφ16	240	18	39.7

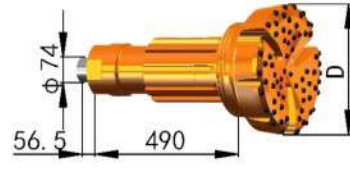
QL60 SHANK BIT	Diameter		Flushing Hole	Spine	Gauge Button	Front Button	Length of Bit Shank	Weight	
	mm	inch	No.	No.	No. mm	No. mm	mm	Kg	lb
		φ152	6	2	12	8Xφ18	7Xφ16	253	21.7
	φ165	6 1/2	3	12	9Xφ16	9Xφ16	253	23.6	52
	φ171	6 3/4	3	12	9Xφ18	11Xφ16	253	24.8	54.7
	φ190	7 1/2	3	12	9Xφ18	10Xφ18	253	26.1	57.5
	φ203	8	3	12	9Xφ18	12Xφ18	253	30.6	67.5

QL80 SHANK BIT	Diameter		Flushing Hole	Spine	Gauge Button	Front Button	Length of Bit Shank	Weight	
	mm	inch	No.	No.	No. mm	No. mm	mm	Kg	lb
		φ203	8	3	16	9Xφ18	12Xφ18	331	48.2
	φ216	8 1/2	3	16	9Xφ18	12Xφ18	331	54.3	119.7
	φ241	9 1/2	3	16	12Xφ18	17Xφ16	331	59.5	131.2
	φ254	10	2	16	12Xφ18	26Xφ16	331	65.8	145.1
	φ305	12	3	16	12Xφ18	24Xφ16	331	83.5	184.1

NUMA SHANK SERIES

DTH BIT


N100 SHANK BIT	Diameter		Flushing Hole	Spine	Gauge Button	Front Button	Length of Bit Shank	Weight	
	mm	inch	No.	No.	No. mm	No. mm	mm	Kg	lb
		φ254	10	2	10	12Xφ18	24Xφ16	375	86.87
	φ305	12	3	10	12Xφ18	24Xφ16	375	105.5	232.6
	φ311	12 1/4	4	10	12Xφ18	36Xφ16	375	108	238.1
	φ325	12 3/4	4	10	12Xφ19	38Xφ16	375	110	242.5


N120 SHANK BIT	Diameter		Flushing Hole	Spine	Gauge Button	Front Button	Length of Bit Shank	Weight	
	mm	inch	No.	No.	No. mm	No. mm	mm	Kg	lb
		φ305	12	3	12	15Xφ18	36Xφ16	490	152
	φ311	12 1/4	4	12	15Xφ18	36Xφ16	490	158	348.3
	φ325	12 3/4	4	12	16Xφ18	42Xφ16	490	162	357.1
	φ355	14	4	12	16Xφ19	48Xφ16	490	178	392.4
	φ380	15	4	12	16Xφ19	48Xφ16	490	195	429.9

N125 SHANK BIT	Diameter		Flushing Hole	Spine	Gauge Button	Front Button	Length of Bit Shank	Weight	
	mm	inch	No.	No.	No. mm	No. mm	mm	Kg	lb
		φ400	15 3/4	4	10	16Xφ20	12Xφ20 55Xφ18	490	260
	φ425	16 3/4	4	10	16Xφ20	12Xφ20 61Xφ18	490	270	595
	φ445	17 1/2	4	10	16Xφ20	12Xφ19 67Xφ18	490	280	617.3
	φ475	18 3/4	4	10	16Xφ20	12Xφ19 71Xφ18	490	309	681
	φ500	19 5/8	4	10	16Xφ20	12Xφ19 72Xφ18	490	338	745
	φ525	20 5/8	4	10	24Xφ20	20Xφ19 100Xφ18	490	365	804.7

MISSION SHANK SERIES

DTH BIT

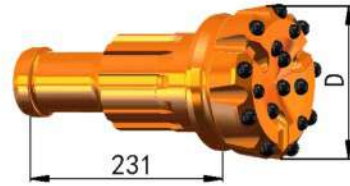
M40 SHANK BIT	Diameter		Flushing Hole	Spine	Gauge Button	Front Button	Length of Bit Shank	Weight	
	mm	inch	No.	No.	No. mm	No. mm	mm	Kg	lb
	φ105	4 1/8	2	12	7Xφ14	6Xφ13	228	7.6	16.8
	φ110	4 3/8	2	12	7Xφ14	6Xφ13	228	7.9	17.4
	φ115	4 1/2	2	12	7Xφ16	6Xφ14	228	8.3	18.3
	φ120	4 3/4	2	12	7Xφ16	7Xφ14	228	8.4	18.5
	φ127	5	2	12	8Xφ16	7Xφ14	228	8.8	19.4


M50 SHANK BIT	Diameter		Flushing Hole	Spine	Gauge Button	Front Button	Length of Bit Shank	Weight	
	mm	inch	No.	No.	No. mm	No. mm	mm	Kg	lb
	φ135	5 3/8	2	12	8Xφ16	7Xφ14	260	13	28.7
	φ140	5 1/2	2	12	7Xφ18	7Xφ16	260	13.1	28.9
	φ146	5 3/4	2	12	8Xφ18	7Xφ16	260	14	30.9
	φ152	6	2	12	8Xφ18	7Xφ16	260	15.2	33.5
	φ165	6 1/2	3	12	9Xφ16	9Xφ16	260	16.36	36.1



MISSION SHANK SERIES

DTH BIT


M60 SHANK BIT	Diameter		Flushing Hole	Spine	Gauge Button	Front Button	Length of Bit Shank	Weight	
	mm	inch	No.	No.	No. mm	No. mm	mm	Kg	lb
	φ152	6	2	12	8Xφ18	7Xφ16	231	19	41.9
	φ165	6 1/2	3	12	9Xφ16	9Xφ16	231	20.2	44.5
	φ171	6 3/4	3	12	9Xφ18	11Xφ16	231	21.9	48.3
	φ190	7 1/2	3	12	9Xφ18	10Xφ18	231	22.9	50.5
	φ203	8	3	12	10Xφ18	12Xφ18	231	28.2	62.2

M80 SHANK BIT	Diameter		Flushing Hole	Spine	Gauge Button	Front Button	Length of Bit Shank	Weight	
	mm	inch	No.	No.	No. mm	No. mm	mm	Kg	lb
	φ203	8	3	12	9Xφ18	12Xφ18	329	41.1	90.6
	φ216	8 1/2	3	12	9Xφ18	12Xφ18	329	43.36	95.6
	φ241	9 1/2	3	12	12Xφ18	17Xφ16	329	52.9	116.6
	φ254	10	2	12	12Xφ18	26Xφ16	329	56.8	125.2
	φ305	12	3	12	12Xφ18	24Xφ16	329	72	158.7




BR SHANK SERIES

DTH BIT

BR1 SHANK BIT	Diameter		Flushing Hole	Spine	Gauge Button	Front Button	Length of Bit Shank	Weight	
	mm	inch	No.	No.	No. mm	No. mm	mm	Kg	lb
	Φ64	2 1/2	2	6	6XΦ10	4XΦ9	163	2.6	5.7
	Φ70	2 3/4	2	6	6XΦ11	4XΦ10	163	2.8	6.2
	Φ76	3	2	6	6XΦ12	5XΦ10	163	3.2	7.1


BR2 SHANK BIT	Diameter		Flushing Hole	Spine	Gauge Button	Front Button	Length of Bit Shank	Weight	
	mm	inch	No.	No.	No. mm	No. mm	mm	Kg	lb
	Φ76	3	2	6	6XΦ12	4XΦ10	165	3.6	7.9
	Φ80	3 1/8	2	6	6XΦ13	4XΦ12	165	4	8.8
	Φ90	3 1/2	2	6	6XΦ14	4XΦ12	165	4.2	9.3

BR3 SHANK BIT	Diameter		Flushing Hole	Spine	Gauge Button	Front Button	Length of Bit Shank	Weight	
	mm	inch	No.	No.	No. mm	No. mm	mm	Kg	lb
	Φ90	3 1/2	2	6	6XΦ14	5XΦ12	165	4	8.8
	Φ95	3 3/4	2	6	6XΦ14	5XΦ12	165	4.3	9.5
	Φ100	4	2	6	6XΦ14	6XΦ12	165	4.8	10.6
	Φ105	4 1/8	2	6	7XΦ14	6XΦ12	165	5.2	11.5

OTHER SHANK SERIES

DTH BIT

COP32 SHANK BIT	Diameter		Flushing Hole	Spine	Gauge Button	Front Button	Length of Bit Shank	Weight	
	mm	inch	No.	No.	No. mm	No. mm	mm	Kg	lb
	Φ90	3 1/2	2	8	7XΦ13	6XΦ12	214	4.6	10.12
	Φ92	3 5/8	2	8	7XΦ13	6XΦ12	214	4.7	10.34
	Φ102	4	2	8	8XΦ13	7XΦ12	214	5.1	11.22

COP34 SHANK BIT	Diameter		Flushing Hole	Spine	Gauge Button	Front Button	Length of Bit Shank	Weight	
	mm	inch	No.	No.	No. mm	No. mm	mm	Kg	lb
	Φ90	3 1/2	2	8	8XΦ11	6XΦ11	245	5.2	11.44
	Φ92	3 5/8	2	8	8XΦ12	6XΦ12	245	5.3	11.66
	Φ95	3 3/4	2	8	8XΦ12	6XΦ12	245	5.4	11.88
	Φ100	4	2	8	8XΦ12	7XΦ12	245	5.6	12.32
	Φ105	4 1/8	2	8	8XΦ12	8XΦ12	245	5.7	12.54

MD3.5 SHANK BIT	Diameter		Flushing Hole	Spine	Gauge Button	Front Button	Length of Bit Shank	Weight	
	mm	inch	No.	No.	No. mm	No. mm	mm	Kg	lb
	Φ90	3 1/2	2	8	7XΦ12	6XΦ12	181	4.9	10.78
	Φ95	3 3/4	2	8	7XΦ13	6XΦ12	181	5	11.00
	Φ100	4	2	8	6XΦ16	6XΦ12	181	6.2	13.64
	Φ102	4	2	8	8XΦ12	7XΦ12	181	6.4	14.08

OTHER SHANK SERIES

DTH BIT

COPROD89 SHANK BIT



Diameter		Flushing Hole	Spine	Gauge Button	Front Button	Length of Bit Shank	Weight	
mm	inch	No.	No.	No. mm	No. mm	mm	Kg	lb
φ105	4 1/8	3	8	9Xφ13	7Xφ13	384	8.71	19.16
φ110	4 5/16	3	8	9Xφ14	6Xφ14	384	9.4	20.68
φ115	4 1/2	3	8	9Xφ14	6Xφ14	384	9.68	21.30
φ127	5	3	8	9Xφ14	10Xφ14	384	10.36	22.79

TD40/QLX40 SHANK BIT



Diameter		Flushing Hole	Spine	Gauge Button	Front Button	Length of Bit Shank	Weight	
mm	inch	No.	No.	No. mm	No. mm	mm	Kg	lb
φ115	4 1/2	2	12	8Xφ16	7Xφ13	209	10	22.00
φ127	5	2	12	8Xφ16	7Xφ14	209	11.8	25.96
φ130	5 1/8	3	12	9Xφ14	9Xφ13	209	12.3	27.06
φ140	5 1/2	3	12	9Xφ16	10Xφ14	209	12.8	28.16



WONTECH SERVICE AND SUPPORT



ON-TIME DELIVERY



ROUTINE VISIT

TAILORED SERVICE



QUICK RESPONSE TO COMPLAINTS